

# Wrightliter (ring) BM-2835

Uplighting  
Underwater Lighting  
Backlighting  
Spot Lighting  
Architectural Lighting  
Fountain/Statue Lighting  
Sign Lighting  
Wall Lighting  
Stairway/Step Lighting  
Reflective Lighting  
Deck/Dock Lighting



**Nightscaping®**  
1705 E. Colton Avenue  
Redlands, California 92374  
Tel: (909) 794-2121  
Fax: (909) 794-7292  
Help Line: (800) 544-4840  
E-mail: [info@nightscaping.com](mailto:info@nightscaping.com)  
<http://www.nightscaping.com>

Uplight water falls, ponds or streams with the Nightscaping® Wrightliter featuring a standard ring assembly. Applicable in either wet or dry locations, and with multiple mounting and shielding options available, this solid brass fixture is flexible enough to fit into any of your lighting designs. Specify this fixture with confidence. Like all members of our BrassMaster™ series, the Wrightliter carries a lifetime warranty.

**Lamp Standard** BM-2835BR -LO2036 (Standard)  
**Material:** All Pressurized Die-Cast Brass  
**Finish:** BM-2835 BR (Standard) Brass  
BM-2835 BR-V Brass-Verde  
BM-2835 BR-1, -2, -3, -4, -7, -8, -9, -AV, -VP, -W  
(Optional w/surcharge)  
**Lens:** Clear Tempered Glass (Standard)  
BM-2835BR-LO2036 -S Spread Lens (Optional)  
**Socket:** Ceramic G6.35 Bi-Pin  
**Mounting:** Recess Mount into Masonry, Wood or Soil (Standard)

*Nightscaping®*

# Wrightliter (ring)

## BM-2835



*Nightscaping*

**Alternative Lamps:** BM-2835BR -LO1024\*, -LO2006, -LO2012, -LO3512, -LO3520, -LO3540, -LO4208, -LO5012, -LO5024, -LO5038, -LO5055, -LH5024\*, -LH5036\* (Optional)  
-LO5060, -LO2060, -LO3560

\* = Surcharge

**Lens:** See above indications

**Accessories:**

**Pour Sleeve:**  
PS-0406SS Pour Sleeve

**Lens:**  
NS-OK-C (Standard/Accessory) Clear Lens  
NS-OK-S Spread Lens

**Shield: Cuts side light when lamp must be exposed to view.**  
B-0011 Brass - Shield

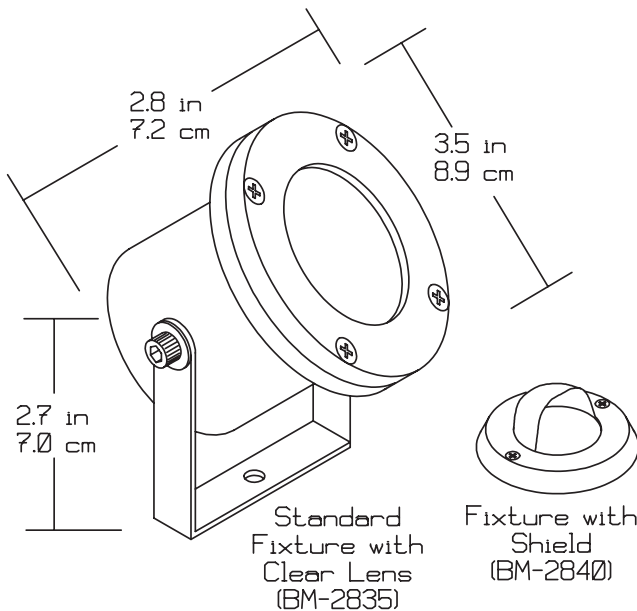
**Stand:**  
DO-2835BR Vermeer Stand

**Lens Holders - Brass:**  
B-0010 Convert existing BM-2840BR to this Ring Lens Holder. (Also replaces BM-2835BR lens holder)  
B-0012 Convert existing BM-2835BR to this Shield Lens Holder. (Also replaces BM-2840BR lens holder)

**Mount Plate:**  
SA-0606BR Brass - Works well in conjunction with Yoke Mount.

**Yoke Mounting:**  
SA-1222SS Convert existing BM-2840BR to Yoke Mount. (Also replaces BM-2835BR yoke mount)

**Warranty:** LIFE 'Repair or Replace' Warranty to original Owner.



	LO 2036 (BAB) (20W)	42° x 42°
2ft	1'6"	131.3 FC
4ft	3'0"	32.8
6ft	4'7"	14.6
8ft	6'1"	8.2
10ft	7'8"	5.3
12ft	9'2"	3.7
14ft	10'9"	2.7
16ft	12'3"	2.1
18ft	13'9"	1.6
20ft	15'4"	1.3

STANDARD LAMP PHOTOMETRIC