

Walliter GU-0508

Uplighting
Architectural Lighting
Fountain/Statue Lighting
Highlighting
Sign Lighting
Wall Lighting
Cross Lighting
Backlighting
Reflective Lighting
Mirror Lighting



Nightscaping®
1705 E. Colton Avenue
Redlands, California 92374
Tel: (909) 794-2121
Fax: (909) 794-7292
Help Line: (800) 544-4840
E-mail: info@nightscaping.com
<http://www.nightscaping.com>

Use the Nightscaping® brand Walliter to uplight trees, graze buildings or highlight walls. Above-ground shielding and a stainless steel gimbal ring that allows the lamp to pivot, enables you to precisely aim and position the light produced. Featuring Nightscaping's® exclusive 78-40 safety switch, this fixture will turn itself off if obstructed by mulch or fallen leaves that can result in excess heat. And subsequently, turn itself back on once the lamp cools.

Standard Lamp: PAR36 Screw Terminal Lamps:
GU-0508 -LO4414 (Standard)

Material: **Body:** Black ABS Conduit
Gimbal Ring: Stainless Steel

Finish: GU-0508
Unpainted ABS Black Direct Burial Conduit (Standard)

Mounting: Direct Burial (Standard)

Nightscaping®

Walliter

GU-0508



Nightscaping

Alternative Lamps: GU-0508 -LO4405*, -LO4406, -LO4411, -LO4415, -LO4416, -LO4446*, -LO25NSP*, -LO25VNS*, -LO25VWFL*, -LO25WFL*, -LO36NSP*, -LO36VNS*, -LO36WFL*, -LO50NSP*, -LO50VNS*, -LO50VWFL*, -LO50WFL*

Halogen PAR36 Screw Terminal Lamps:

GU-0508 -LO7600*, -LO7606*, -LO7610*, -LO7616*, -LOH35NSP*, -LOH35VNS*, -LO35WFL*, -LOH50NSP*, -LOH50VNS*, -LOH50WFL*

* = Surcharge

Options: See above indications

Accessories: **Gimbal Ring: Replaces existing Master-liter and/or Moneliter MR-16 Assembly to Walliter PAR-36**

GR-0600SS

Grates: Fit securely on inside/top of fixture for minimum light output interference but maximum side shielding. Body must be inverted.

GI-0505 -1, -2, -3, -4, -7, -8, -9, -AV, -VP, -W Inner Round Grate - Aluminum

GL-0606-1, -2, -3, -4, -7, -8, -9, -AV, -VP, -W Outer Round Grate - Aluminum

GL-0607-1, -2, -3, -4, -7, -8, -9, -AV, -VP, -W Outer Square Grate - Steel

GL-0607BR Outer Square Grate - Brass

GL-0607BR-1, -2, -3, -4, -7, -8, -9, -AV, -VP, -W Outer Square Grate - Powder-coated Brass

Lens: Do not use lens with lamps over 25 Watts or Narrow Spot Lamps.

NS-LL-A, -B, -C, -G, -R, -S, -SG Plexiglass

Lens Holder:

HD-LL-BR Lens (NS-LL) Holder - Brass

HD-LL-FE Lens (NS-LL) Holder - Steel (Black)

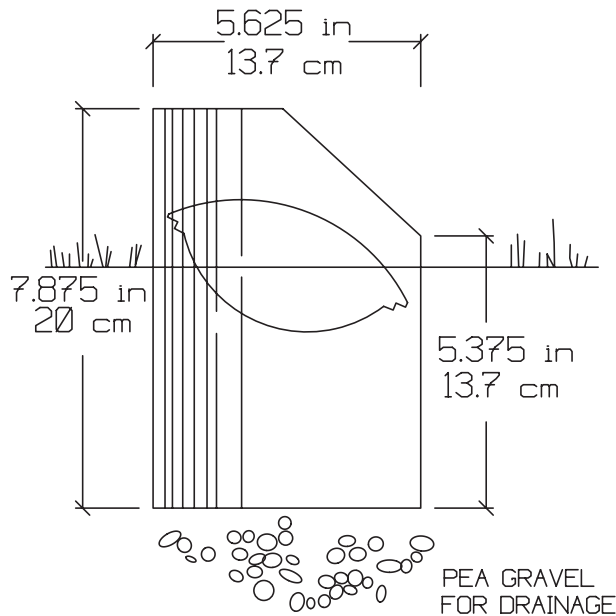
HD-LL-FE-2, -3, -4, -7, -8, -9, -AV, -VP, -W Lens (NS-LL) Holder - Steel (Powder-coated)

Lens Holder with Lens:

HD-LL-BR-A, -B, -C, -G, -R, -S, -SG Lens Holder (Brass) - Colored Lens (Plexiglass)

HD-LL-FE-A, -B, -C, -G, -R, -S, -SG Lens Holder (Steel) - Colored Lens (Plexiglass)

Warranty: 10-Year 'Repair or Replace' Warranty.



	LO 4414 (14.9W)	50° x 25°
2ft	1'10" x 10"	266.0 FC
4ft	3'8" x 1'9"	66.5
6ft	5'7" x 2'8"	29.6
8ft	7'5" x 3'6"	16.6
10ft	9'4" x 4'5"	10.6
12ft	11'2" x 5'4"	7.4
14ft	13' x 6'2"	5.4
16ft	14'11" x 7'	4.2
18ft	16'9" x 7'11"	3.3
20ft	18'7" x 8'10"	2.7

STANDARD LAMP PHOTOMETRIC

DESIGN TIP*

Do not use plexiglass lens option in combination with narrow beam lamps or lamps in excess of 25 watts.