

# Versaliter GU-0965

Uplighting  
Pathlighting  
Backlighting  
Reflective Lighting  
Architectural Lighting  
Wall Lighting  
Stairway/Step Lighting  
Mirror Lighting  
Highlighting  
Sign Lighting



**Nightscaping®**  
1705 E. Colton Avenue  
Redlands, California 92374  
Tel: (909) 794-2121  
Fax: (909) 794-7292  
Help Line: (800) 544-4840  
E-mail: [info@nightscaping.com](mailto:info@nightscaping.com)  
<http://www.nightscaping.com>

Use the highly functional Versaliter by Nightscaping® as a low profile pathlighting or for most any backlighting application. The Versaliter's top assembly pivots on its stem to give you precise control over light direction and glare reduction. This top can even be tilted completely back to graze walls and uplight structure, plant materials or other focal points in the landscape.

<b>Lamp Standard</b>	GU-0965-1	-LOQ20 (Standard)
<b>Material:</b>	<b>Top:</b> Cast Aluminum	<b>Stem:</b> Phosphatized Steel
<b>Finish:</b>	GU-0965	-1, -7 (Standard)
	GU-0965	-2, -3, -4, -8, -9, -AV, -VP, -W (Optional w/surcharge)
<b>Lens:</b>	Clear Tempered Glass (Standard)	
<b>Socket:</b>	Ceramic G4 Bi-Pin	
<b>Mounting:</b>	Spike Mount (Standard)	

*Nightscaping®*

# Versaliter

## GU-0965



*Nightscaping*®

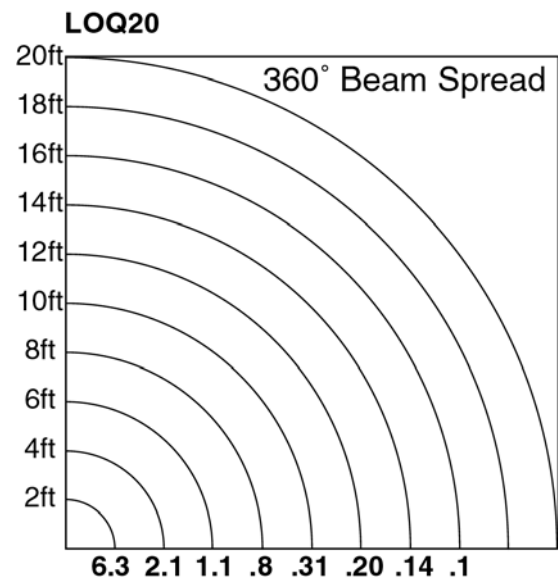
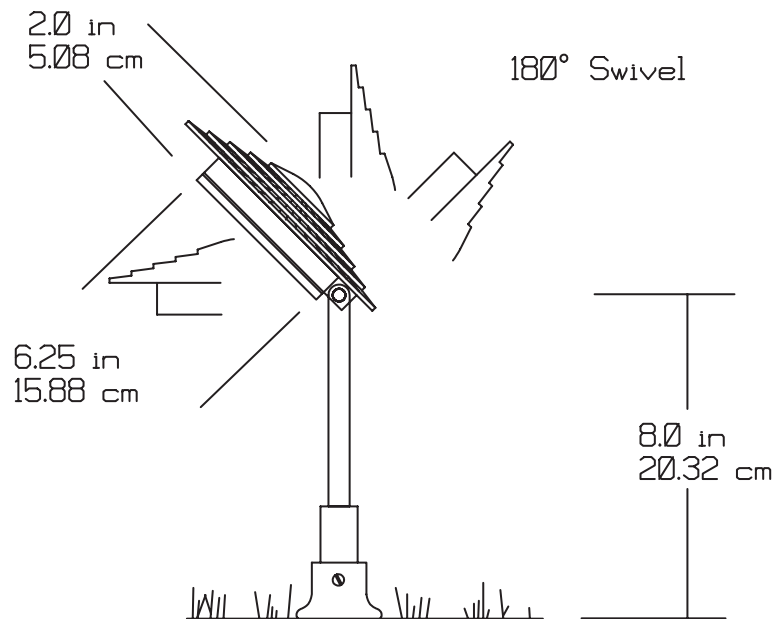
**Alternative Lamps:** GU-0965-1 -LOQ5, -LOQ10, -LOQ35 (Optional)  
 GU-0965-1 -LOQ50 (Optional w/GY6.35 Socket)

**Mounting Optional:** GU-0965-1-LOQ20 -CM (Optional) Conduit Mount with 1/2" male pipe threads. (Factory installed)  
 GU-0965-1-LOQ20 -FMO (Optional) Floor Mount - Aluminum

**Optional:** See above indications  
**Stem:** Custom lengths available at an additional cost.

**Accessories: Lens:** NS-VE-C (Standard/Accessory) Clear Lens  
 NS-VE-S Spread Lens

**Warranty:** 10-year 'repair or replacement' warranty. \Repair de 10 o \warranty..



STANDARD LAMP PHOTOMETRIC