

Versaliter II GU-1565

Uplighting
Pathlighting
Backlighting
Reflective Lighting
Architectural Lighting
Wall Lighting
Stairway/Step Lighting
Mirror Lighting
Highlighting
Sign Lighting



Nightscaping®
1705 E. Colton Avenue
Redlands, California 92374
Tel: (909) 794-2121
Fax: (909) 794-7292
Help Line: (800) 544-4840
E-mail: info@nightscaping.com
<http://www.nightscaping.com>

Take advantage of unlimited positioning and directional control when you specify the Nightscaping® Versaliter II. This highly functional fixture is appropriate for pathlighting, downlighting low lying beds and planters, or most any backlighting application. The top assembly pivots to minimize glare and give you precise control over light direction. This top can even be tilted completely back and the fixture used for uplighting purposes.

Lamp Standard GU-1565-1 -LOQ20 (Standard)
Material: **Top:** Cast Aluminum
Stem: Phosphatized Steel
Finish: GU-1565 -1, -7 (Standard)
GU-1565 -2, -3, -4, -8, -9, -AV, -VP, -W
(Optional w/surcharge)
Lens: Clear Tempered Glass (Standard)
Socket: Ceramic G4 Bi-Pin
Mounting: Spike Mount (Standard)

Nightscaping®

Versaliter II

GU-1565



Nightscaping[®]

Alternative	GU-1565-1	-LOQ5, -LOQ10, -LOQ35 (Optional)
Lamps:	GU-1565-1	-LOQ50 (Optional w/GY6.35 Socket)
	GU-1565-1	-LOQX20 Surcharge

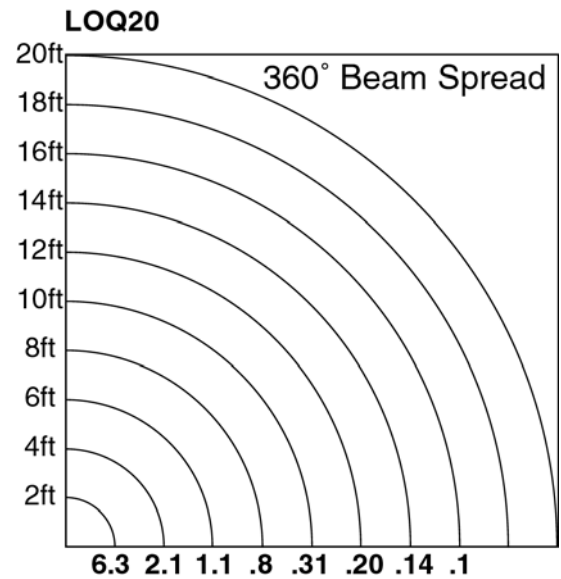
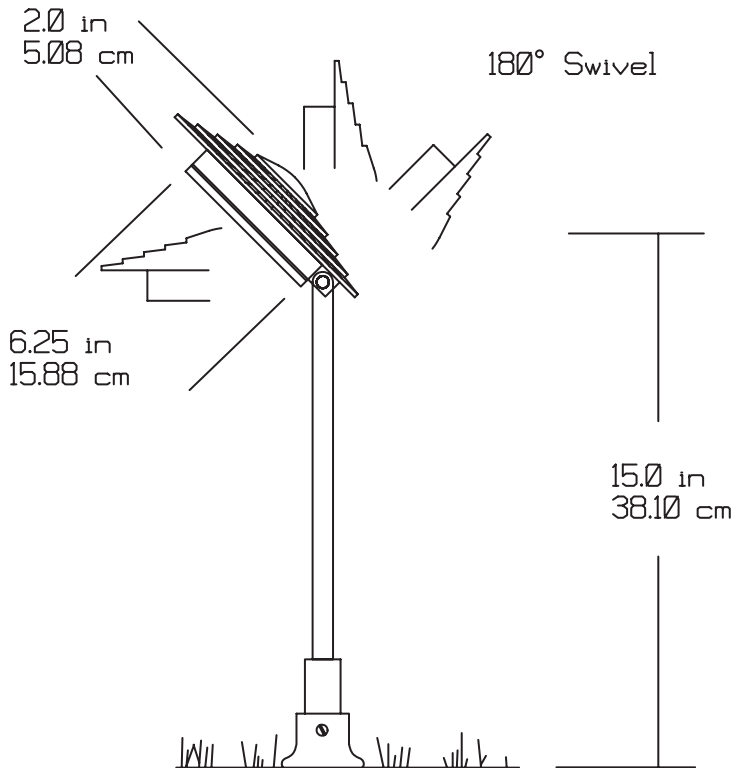
Lens:	GU-1565-1	-S (Optional)	Spread Lens
--------------	-----------	---------------	-------------

Mounting	GU-1565-1-LOQ20	-CM (Optional)	Conduit Mount with ½" male pipe threads. (Factory installed)
Optional:	GU-1565-1-LOQ20	-FMO (Optional)	Floor Mount - Aluminum

Optional: See above indications
Stem: Custom lengths available at an additional cost.

Accessories:	Lens:	
	NS-VE-C (Standard/Accessory)	Clear Lens
	NS-VE-S	Spread Lens

Warranty: 10-year 'repair or replacement' warranty. \Repair de 10 o \warranty..



STANDARD LAMP PHOTOMETRIC