

Vermeer (eyebrow) BM-4553

Uplighting
Underwater Lighting
Architectural Lighting
Fountain/Statue Lighting
Highlighting
Sign Lighting
Wall Lighting
Backlighting
Reflective Lighting
Mirror Lighting



Nightscaping®
1705 E. Colton Avenue
Redlands, California 92374
Tel: (909) 794-2121
Fax: (909) 794-7292
Help Line: (800) 544-4840
E-mail: info@nightscaping.com
<http://www.nightscaping.com>

See the effect and not the source by using the Vermeer fixture featuring a 2" eyebrow. Try it in raised planters where uplighting is closer to eye-level. It is also appropriate for commercial hardscapes, uplighting trees, flags, focal points and water features or anywhere else a controlled beam of light is required. The Vermeer carries a lifetime warranty.

Standard Lamp: BM-4553BR -LO2036 (Standard)

Material: All Pressurized Die-Cast Brass

Finish: BM-4553 BR (Standard) Brass
BM-4553 BR-V Brass-Verde
BM-4553 BR-1, -2, -3, -4, -7, -8, -9, -AV, -VP, -W
(Optional w/surcharge)

Lens: Clear Tempered Glass (Standard)

Socket: Ceramic G6.35 Bi-Pin

Mounting: Ground Mount as Well-Light or Surface Mount in Fountains and Ponds (Standard)

Nightscaping®

Vermeer (eyebrow)

BM-4553



Nightscaping

Alternative Lamps: BM-4553BR -LO1024*, -LO2006, -LO2012, -LO3512, -LO3520, -LO3540, -LO4208, -LO5012, -LO5024, -LO5038, -LO5055, -LH5024*, -LH5036* (Optional), -LO2060, -LO3560, -LO5060

* = Surcharge

Options: See above indications
Lamp Holder: BM-4553BR-LO2036 -ALH Adjustable Lamp Holder

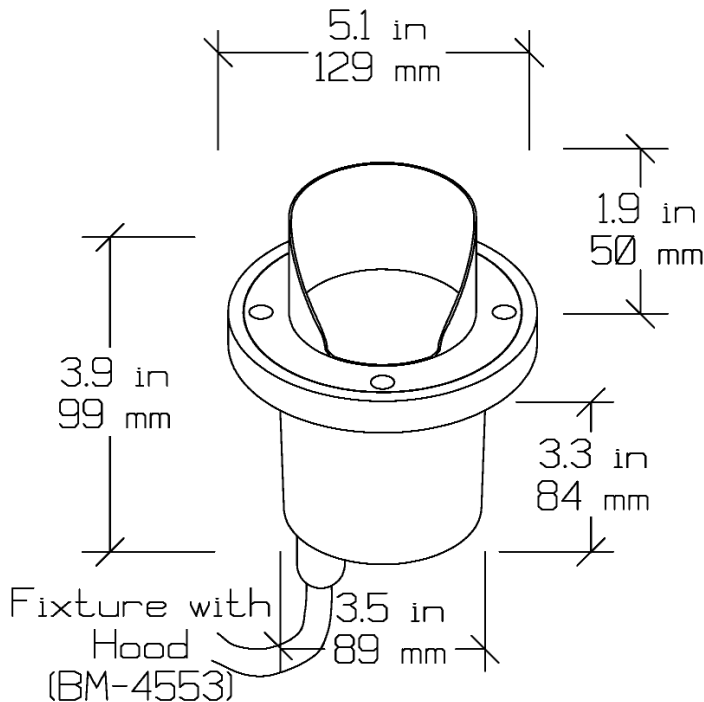
Accessories:

Lens:
 NS-VM-C (Standard/Accessory) Clear Lens
 HD-MR-CU-R, -B, -G, -A, -S Holder Copper and Lens

Stand:
 4551BR Vermeer Stand Only Concrete
 SA-0606BR Round Stand Base

Lens Holders - Brass:
 B-0001 Convert existing Vermeer with this Ring Lens Holder. (Also replaces BM-4551BR lens holder)
 B-0002 Convert existing Vermeer with this Grate Lens Holder. (Also replaces BM-4552BR lens holder)
 B-0003 Convert existing Vermeer with this Shield Lens Holder. (Also replaces BM-4553BR lens holder)
 B-0004 Convert existing Vermeer with this Diffuser Lens Holder. (Also replaces BM-4554BR lens holder)

Warranty: LIFE 'Repair or Replace' Warranty to original Owner.



	LO 2036 (BAB) (20W)	42° x 42°
2ft	1'6"	131.3 FC
4ft	3'0"	32.8
6ft	4'7"	14.6
8ft	6'1"	8.2
10ft	7'8"	5.3
12ft	9'2"	3.7
14ft	10'9"	2.7
16ft	12'3"	2.1
18ft	13'9"	1.6
20ft	15'4"	1.3

STANDARD LAMP PHOTOMETRIC

DESIGN TIP*

Use in wet or dry locations.