

Vermeer (ring) BM-4551

Uplighting
Pathlighting
Underwater Lighting
Architectural Lighting
Deck/Dock Lighting
Backlighting
Stairway/Step Lighting



Nightscaping®
1705 E. Colton Avenue
Redlands, California 92374
Tel: (909) 794-2121
Fax: (909) 794-7292
Help Line: (800) 544-4840
E-mail: info@nightscaping.com
<http://www.nightscaping.com>

Graze buildings, accent tall trees or highlight signs with the ground-mounted, brass Vermeer. It's water-tight construction makes the Vermeer suitable for fountain and water feature lighting as well. Designed for use with an MR-16 lamp, this fixture allows you to uplight a distance of 40-50 feet. Featuring a standard lifetime warranty, the Nightscaping® brand Vermeer is a fixture you can depend on.

Standard Lamp: BM-4551BR-LO2036 (Standard)

Material: Solid Pressurized Die-Cast Brass

Finish: BM-4551 BR (Standard) Brass
BM-4551 BR-V Brass-Verde
BM-4551 BR-1, -2, -3, -4, -7, -8, -9, -AV, -VP, -W
(Optional w/surcharge)

Lens: Clear Tempered Glass (Standard)

Socket: Ceramic G6.35 Bi-Pin

Mounting: Ground Mount as Well-Light or Surface Mount in Fountains and Ponds (Standard)

Nightscaping®

Vermeer (ring)

BM-4551



Nightscaping

Alternative Lamps: BM-4551BR -LO1024*, -LO2006, -LO2012, -LO3512, -LO3520, -LO3540, -LO4208, -LO5012, -LO5024, -LO5038, -LO5055, -LH5024*, -LH5036* (Optional)

* = Surcharge

Options: See above indications

Lamp Holder: BM-4551BR-LO2036 -ALH Adjustable Lamp Holder

Accessories:

Lens: NS-VM-C (Standard/Accessory) Clear Lens

Stand: 4551BR Vermeer Stand

Lens Holders - Brass:

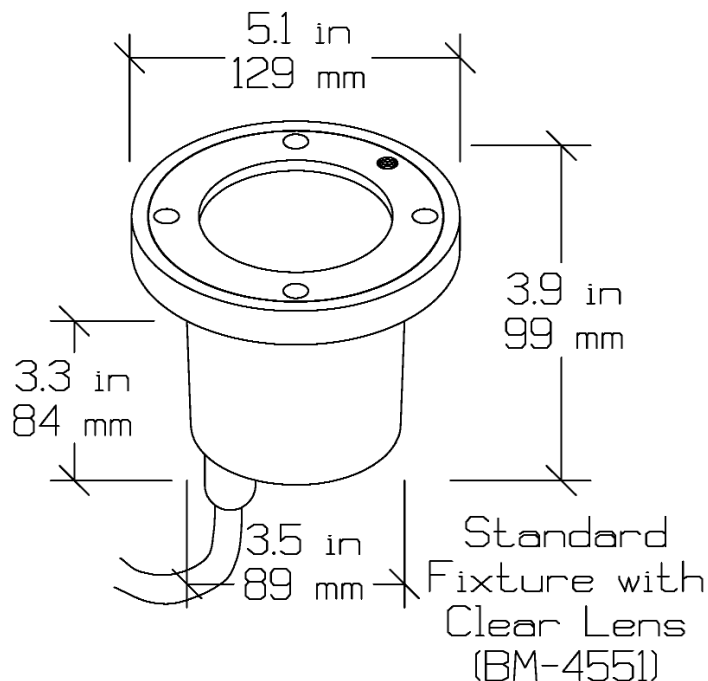
B-0001 Convert existing Vermeer with this Ring Lens Holder. (Also replaces BM-4551BR lens holder)

B-0002 Convert existing Vermeer with this Grate Lens Holder. (Also replaces BM-4552BR lens holder)

B-0003 Convert existing Vermeer with this Shield Lens Holder. (Also replaces BM-4553BR lens holder)

B-0004 Convert existing Vermeer with this Diffuser Lens Holder. (Also replaces BM-4554BR lens holder)

Warranty: LIFE 'Repair or Replace' Warranty to original Owner.



	LO 2036 (BAB) (20W)	42° x 42°
2ft	1'6"	131.3 FC
4ft	3'0"	32.8
6ft	4'7"	14.6
8ft	6'1"	8.2
10ft	7'8"	5.3
12ft	9'2"	3.7
14ft	10'9"	2.7
16ft	12'3"	2.1
18ft	13'9"	1.6
20ft	15'4"	1.3

STANDARD LAMP PHOTOMETRIC

DESIGN TIP*

Use in wet or dry locations.