

# Tortoise GH-0412

Backlighting  
Reflective Lighting  
Architectural Lighting  
Wall Lighting  
Uplighting  
Downlighting  
Pathlighting  
Highlighting  
Sign Lighting



**Nightscaping®**  
1705 E. Colton Avenue  
Redlands, California 92374  
Tel: (909) 794-2121  
Fax: (909) 794-7292  
Help Line: (800) 544-4840  
E-mail: [info@nightscaping.com](mailto:info@nightscaping.com)  
<http://www.nightscaping.com>

Accomplish most any straight on lighting task with the Nightscaping® Tortoise. Featuring three MR-16 lamps that you can independently aim and adjust for precision control, the Tortoise can be used to light signage, as an entry marker, for lighting paths and drives, grazing walls and much, much more. Specify the Tortoise on your next project and discover first hand the many ways it will benefit your lighting designs.

**Lamp Standard** GH-0412-1 -LO2036 (Standard) (3 Lamp Fixture)

**Material:** **Body/Base:** Cast Aluminum

**Finish:** GH-0412 -1, -7 (Standard)  
GH-0412 -2, -3, -4, -8, -9, -AV, -VP, -W  
(Optional w/surcharge)

**Lens:** Clear Tempered Float Glass (Standard)

**Socket:** Ceramic G6.35 Bi-Pin

**Mounting:** Direct Surface Mount (Standard) - Has provision for two 1/2" conduits.

*Nightscaping®*

# Tortoise

## GH-0412



*Nightscaping*

**Alternative Lamps:** GH-0412-1 -LO1024\*, -LO2006, -LO2012, -LO3512, -LO3520, -LO3540, -LO4208, -LO5012, -LO5024, -LO5038, -LO5055, -LH5024\*, -LH5036\* (Optional)

**Optional:** See Above indications-

**Lens:**

-S Spread-

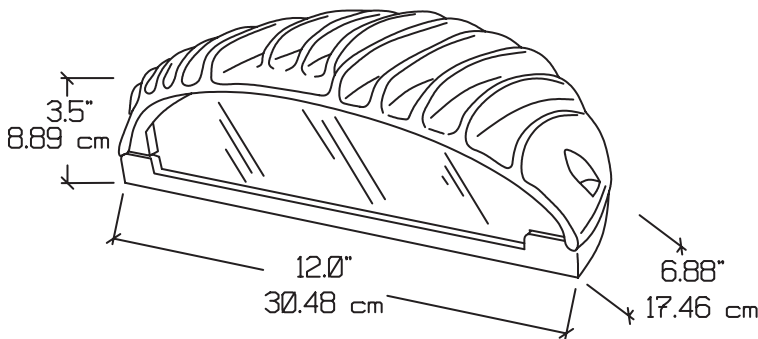
**Mounting:**

GH-0412-1-LO2036 -2KNS Two Knuckles with Spike Mount - Both Sets Aluminum

**Vandalism:**

GH-0412-1-LO2036 -VAN Vandal-Proof Hardware. Replaces standard stainless steel mount hardware with vandal-resistant type. Special wrench included

**Warranty:** 10-year 'repair or replacement' warranty. \Repair de 10 o \warranty..



	LO 2036 (BAB) (20W)	42° x 42°
2ft	1'6"	131.3 FC
4ft	3'0"	32.8
6ft	4'7"	14.6
8ft	6'1"	8.2
10ft	7'8"	5.3
12ft	9'2"	3.7
14ft	10'9"	2.7
16ft	12'3"	2.1
18ft	13'9"	1.6
20ft	15'4"	1.3

STANDARD LAMP PHOTOMETRIC