

# Tikiliter GD-5508CU

Downlighting  
Pathlighting  
Architectural Lighting  
Patio/Gazebo Lighting  
Dock/Dock Lighting  
Recreational Lighting  
Stairway/Step Lighting  
Reflective Lighting  
Area Lighting



**Nightscaping®**  
1705 E. Colton Avenue  
Redlands, California 92374  
Tel: (909) 794-2121  
Fax: (909) 794-7292  
Help Line: (800) 544-4840  
E-mail: [info@nightscaping.com](mailto:info@nightscaping.com)  
<http://www.nightscaping.com>

Add a festive touch of island style to any landscape with the Nightscaping® Tikiliter. The Tikiliter offers you the best of both worlds with a kerosene/citronella burning wick torch on top and a 12-volt pathlighting on the bottom. This combination creates both a tropical atmosphere and functional safety or traverse lighting.

**Lamp Standard** GD-5508CU -LO1156 (Standard)  
**Material:** **Top/Stem:** Copper  
**Finish:** GD-5508CU (Standard)  
**Socket:** Non-corroding polycarbonate (Single-Contact Bayonet)  
**Mounting:** Stem Mount (Standard)

*Nightscaping®*

# Tikiliter

## GD-5508CU



*Nightscaping*

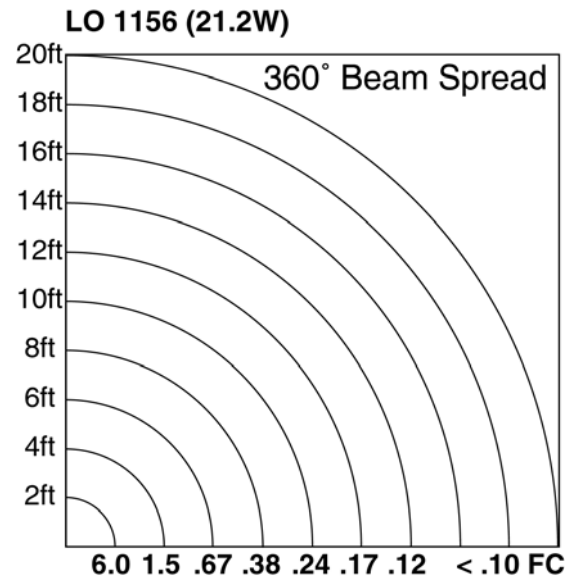
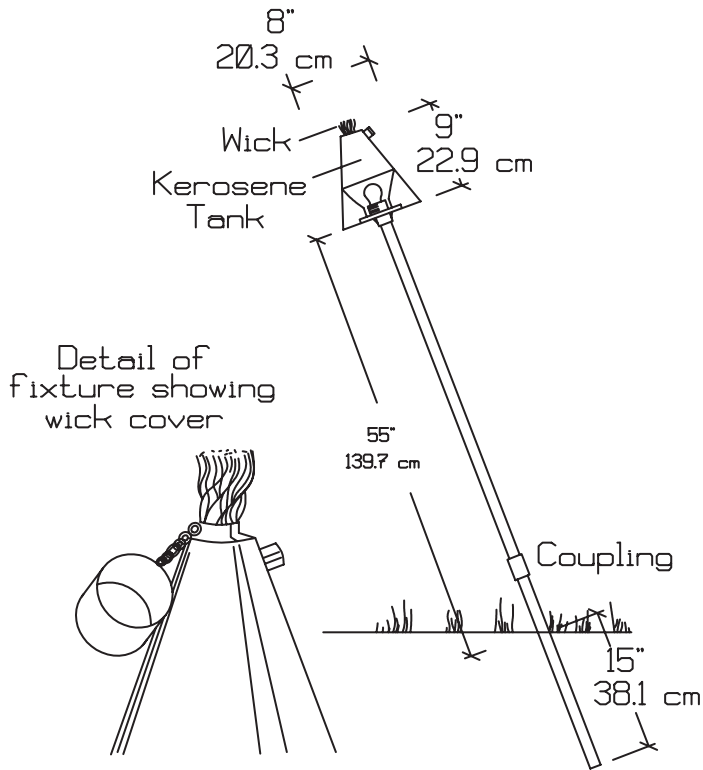
**Alternative Lamps:** GD-5508CU -LO1141, , -LO67, -LO89, -LO93 (Optional)

**Optional:** See above indications

**Accessories:** **Wick:** WI-0404 4" Tikiliter Wick. Burns approximately 4 hours. Wick should be kept covered, when not in use, to prevent water saturation. Citronella Oil may be used to deter insects in the area.

**Warranty:** 10-year 'repair or replacement' warranty. \Repair de 10 o \warranty..

**This is an open flame fixture - Use with extreme caution!**



STANDARD LAMP PHOTOMETRIC