

# Sunliter TD-0502CU

Downlighting  
Architectural Lighting  
Patio/Gazebo Lighting  
Fountain/Statue Lighting  
Area Lighting  
Wall Lighting  
Moonlighting  
Recreational Lighting  
Backlighting  
Highlighting  
Flood Lighting



**Nightscaping®**  
1705 E. Colton Avenue  
Redlands, California 92374  
Tel: (909) 794-2121  
Fax: (909) 794-7292  
Help Line: (800) 544-4840  
E-mail: [info@nightscaping.com](mailto:info@nightscaping.com)  
<http://www.nightscaping.com>

Use the Nightscaping® Sunliter in downlighting applications where the fixture will be seen. This attractive, round, solid copper fixture has a natural look. The verde patina finish blends well with foliage or looks great on its own. This fixture is only available in Copper or Copper Verde.

**Lamp Standard** TD-0502CU -LO2036 (Standard)

**Material:** **Body:** Copper

**Finish:**  
TD-0502 CU (Standard) Copper  
TD-0502 CU-V Copper-Verde  
TD-0502 CU-1, -2, -3, -4, -7, -8, -9, -AV, -VP, -W  
(Optional w/surcharge)  
TD-0502 SS Stainless Steel  
(Call Factory for Quote)

**Lens:** Clear Pyrex Lens (Standard) - sealed with silicone

**Socket:** Ceramic G6.35 Bi-Pin

**Mounting:** Hanging Finial (Standard)

*Nightscaping®*

# Sunliter

TD-0502CU



*Nightscaping*

**Alternative Lamps:** TD-0502CU -LO1024\*, -LO2006, -LO2012, -LO3512, -LO3520, -LO3540, -LO4208, -LO5012, -LO5024,-LO5038,  
 -LO5055, -LH5024\*, -LH5036\* (Optional)  
 BD-0502CU -LO93 (SCB Lamp Option)  
 BD-0502CU -LO1141, -LO1156, -LO1195\*, -LO1383\*, -LO25\*, -LO67, -LO89 (SCB Lamp Option)  
 \* = Surcharge

**Lens:** TD-0502CU-LO2036 -A, -B, -G, -MB, -R, -S (Optional)

**Optional:** See above indications

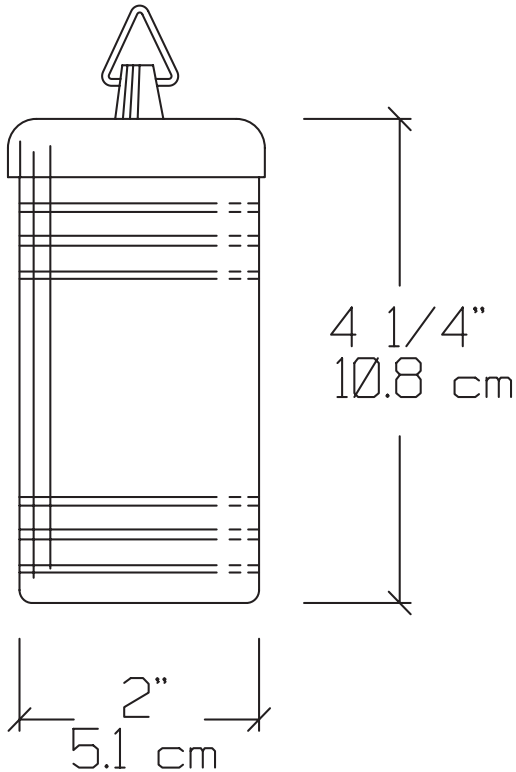
**Accessories:**

**Lens:**  
 NS-CU-C (Standard/Accessory) Clear Lens  
 NS-CU-A, -B, -G, -MB, -R, -S Colored Lens

**Light Shield: Used for extra light shielding**  
 0602-S-CU Copper  
 0602-S-CU-V Copper-Verde  
 0602-S-CU-1, -2, -3, -4, -7, -8, -9, -AV, -VP, -W (Optional w/surcharge)

**Louvre:**  
 LR-0202 Round 1/8" Black Louvre - Steel

**Warranty:** 10-year 'repair or replacement' warranty. \Repair de 10 o \warranty..



	LO 2036 (BAB) (20W)	42° x 42°
2ft	1'6"	131.3 FC
4ft	3'0"	32.8
6ft	4'7"	14.6
8ft	6'1"	8.2
10ft	7'8"	5.3
12ft	9'2"	3.7
14ft	10'9"	2.7
16ft	12'3"	2.1
18ft	13'9"	1.6
20ft	15'4"	1.3

STANDARD LAMP PHOTOMETRIC