

Sunfish UW-0705

Uplighting
Underwater Lighting
Reflective Lighting
Fountain/Statue Lighting



Nightscaping®
1705 E. Colton Avenue
Redlands, California 92374
Tel: (909) 794-2121
Fax: (909) 794-7292
Help Line: (800) 544-4840
E-mail: info@nightscaping.com
<http://www.nightscaping.com>

Take advantage of multiple beam spread options and precise light control when you specify the Nightscaping® Sunfish. This versatile, underwater uplight can be specified with your choice of MR-16 lamp. This allows you to achieve the exact light output and beam spread necessary for specific water feature lighting. Optional tracking shields are available for increased glare control and precision light directing capabilities.

Lamp Standard	UW-0705	-LO2036 (Standard)
Material:	Space-age Composite Material	
Finish:	Composite Material is Natural Earth Tone	
Lens:	Self-draining Lexan Dome Lens with Stainless Steel Lens Mounting Hardware.	
Socket:	Ceramic G6.35 Bi-Pin	
Mounting:	Four Leg Upright on Flat Surface Mount (Standard)	

Nightscaping®

Sunfish

UW-0705



Nightscaping

Alternative Lamps: UW-0705 -LO1024*, -LO2006, -LO2012, -LO3512, -LO3520, -LO3540 (Optional)

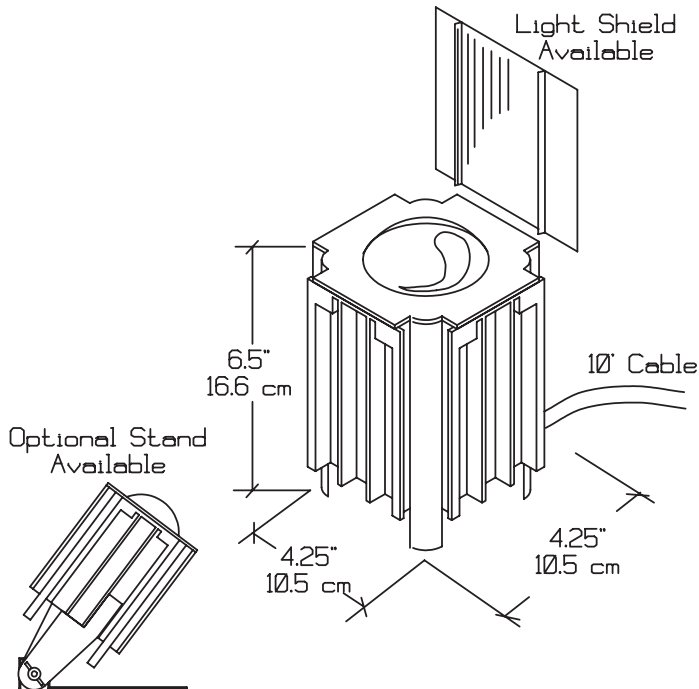
Optional: UW-0705-LO2036 -__FT Additional cord available, up to 50' per fixture. 10' Standard.

Accessories:

- Lens:** NS-SU-C (Standard/Accessory) Clear Lexan Lens
- Light Shield:** 0504-S Controls Glare - Fits on either four sides of body
- Mounting: All Stainless Steel**
- DO-0705 Adjustable Sunfish Stand
- MT-7051 Single Sunfish Mount Bracket
- MT-7052 Dual Sunfish Mount Bracket

Warranty: 10-year 'repair or replacement' warranty. \Repair de 10 o \warranty..

Note: Splice must always be made out and above water level. Do not use in swimming pools, spas, or other water features that can come into direct contact with people!



	LO 2036 (BAB) (20W)	42° x 42°
2ft	1'6"	131.3 FC
4ft	3'0"	32.8
6ft	4'7"	14.6
8ft	6'1"	8.2
10ft	7'8"	5.3
12ft	9'2"	3.7
14ft	10'9"	2.7
16ft	12'3"	2.1
18ft	13'9"	1.6
20ft	15'4"	1.3

STANDARD LAMP PHOTOMETRIC