

Starliter

TD-0302, TD-0702, TD-1002, TD-1302

Downlighting

Architectural Lighting

Patio/Gazebo Lighting

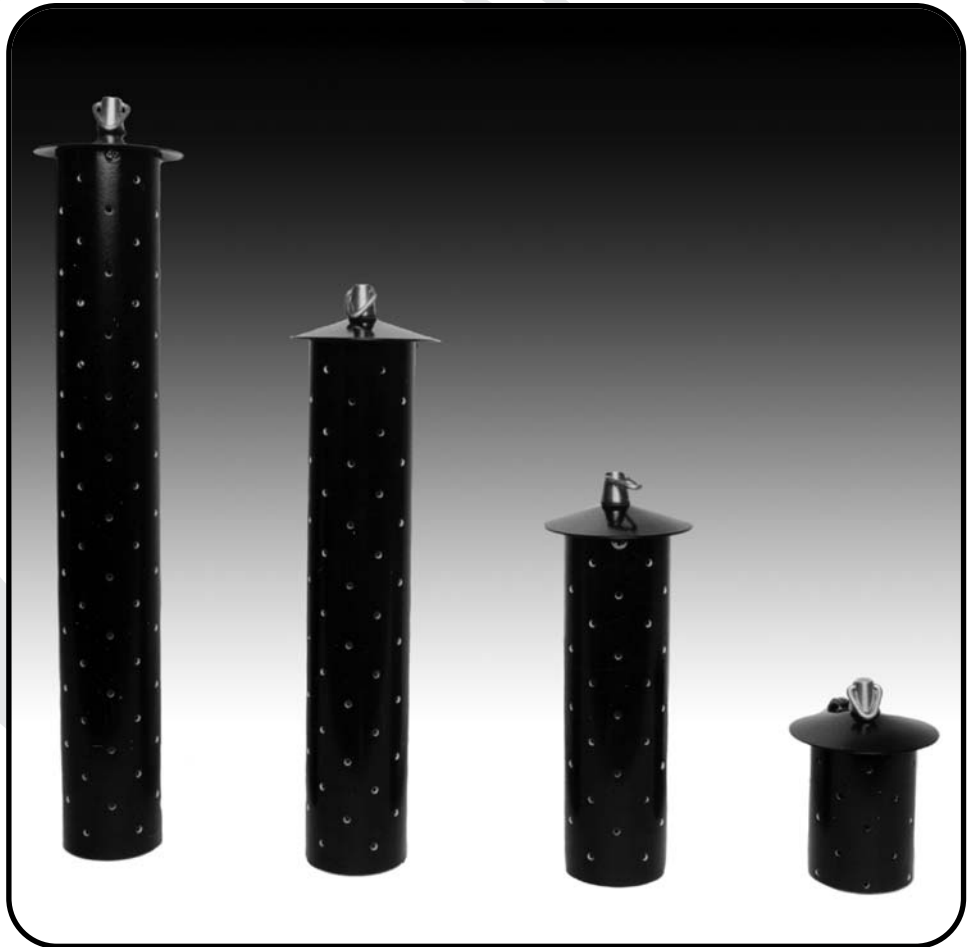
Moonlighting

Reflective Lighting

Area Lighting

Wall Lighting

Recreational Lighting



Nightscaping®

1705 E. Colton Avenue
Redlands, California 92374
Tel: (909) 794-2121
Fax: (909) 794-7292
Help Line: (800) 544-4840
E-mail: info@nightscaping.com
<http://www.nightscaping.com>

Add a twinkling sparkle to the evening with Starliters from Nightscaping®. Available in multiple lengths and with or without perforations this creative fixture has countless accent lighting applications in the landscape.. Common uses include downlighting from trees, arbors, pergolas, gazebos or other garden structures. Try grouping three or more Starliters to create dramatic lighting effects your clients are sure to enjoy.

Lamp Standard TD-0302-1 -LO93 (Standard)

Material: **Top:** Phosphatized Steel.

Body: Perforated Phosphatized Steel. Also available in copper

Finish:	TD-0302	-1, -7 (Standard)
	TD-0302	-2, -3, -4, -8, -9, -AV, -VP, -W (Optional w/surcharge)
	TD-0302	CU Copper
	TD-0302	CU-V Copper-Verde
	TD-0702	-1, -7 (Standard)
	TD-0702	-2, -3, -4, -8, -9, -AV, -VP, -W (Optional w/surcharge)
	TD-0702	CU Copper
	TD-0702	CU-V Copper-Verde
	TD-1002	-1, -7 (Standard)
	TD-1002	-2, -3, -4, -8, -9, -AV, -VP, -W (Optional w/surcharge)
	TD-1002	CU Copper
	TD-1002	CU-V Copper-Verde
	TD-1302	-1, -7 (Standard)
	TD-1302	-2, -3, -4, -8, -9, -AV, -VP, -W (Optional w/surcharge)
	TD-1302	CU Copper
	TD-1302	CU-V Copper-Verde

Socket: Non-corroding polycarbonate (Single-Contact Bayonet)

Mounting: Hanging Finial (Standard)

Nightscaping®

Starliter

TD-0302, TD-0702, TD-1002, TD-1302

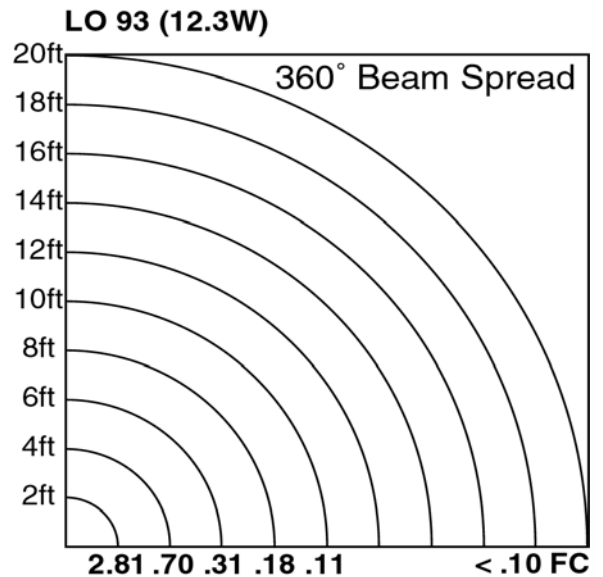
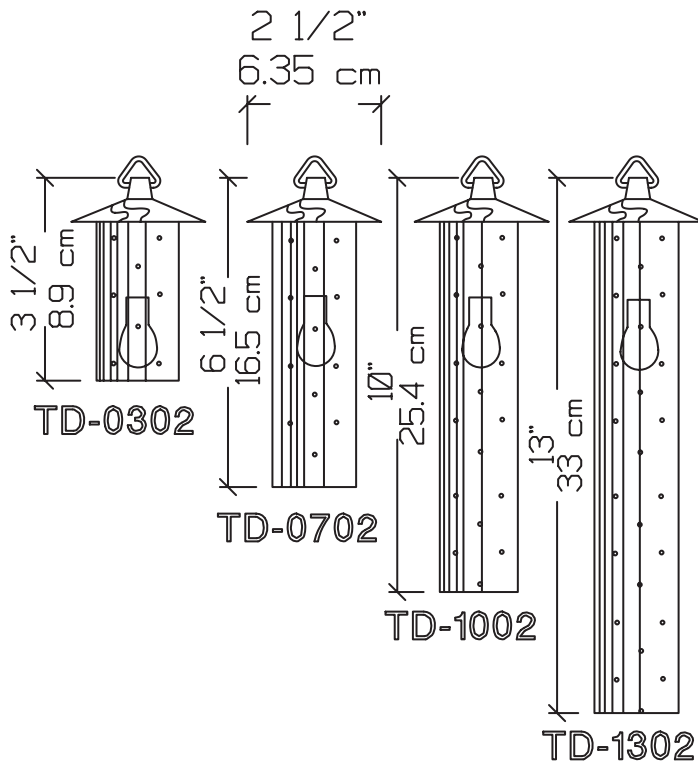


Nightscaping

Alternative Lamps: TD-0302-1 -LO1141, -LO1156, -LO67, -LO89 (Optional)
* = Surcharge

Optional: See above indications
Body: TD-0302-1-LO93 -NH No body perforations.
Interior Finish: Gives effect of white light coming from a colored source.
TD-0302-1-LO93 -INT-A, -B, -G, -R Colored interior instead of white.

Warranty: 10-year 'repair or replacement' warranty. \Repair de 10 o \warranty..



STANDARD LAMP PHOTOMETRIC

DESIGN TIP*

Use these versatile fixtures in tress, under eaves, under deck rails, and anywhere soft lighting is needed.