

# Spotter WM-0902

Downlighting  
Spot Lighting  
Architectural Lighting  
Patio/Gazebo Lighting  
Fountain/Statue Lighting  
Highlighting  
Sign Lighting  
Wall Lighting  
Reflective Lighting  
Cross Lighting



**Nightscaping®**  
1705 E. Colton Avenue  
Redlands, California 92374  
Tel: (909) 794-2121  
Fax: (909) 794-7292  
Help Line: (800) 544-4840  
E-mail: [info@nightscaping.com](mailto:info@nightscaping.com)  
<http://www.nightscaping.com>

Concentrate downlighting on specific landscape features with the Nightscaping® brand Spotter. Try using this fixture to downlight small statuary, garden art or small water gardens and bowl fountains from overhead. The Spotter is available in Verde Copper as well as all standard powder-coat finishes.

**Lamp Standard** WM-0902-1 -LO93 (Standard)

**Material:** **Body/Stem/Z-Mounting:** Phosphatized Steel  
Also available in Copper

**Finish:** WM-0902 -1, -7 (Standard)  
WM-0902 -2, -3, -4, -8, -9, -AV, -VP, -W  
(Optional w/surcharge)  
WM-0902 CU Copper  
WM-0902 CU-V Copper-Verde

**Socket:** Non-corroding polycarbonate (Single-Contact Bayonet)

**Mounting:** Wall Mount (Standard)

*Nightscaping®*

# Spotter

## WM-0902



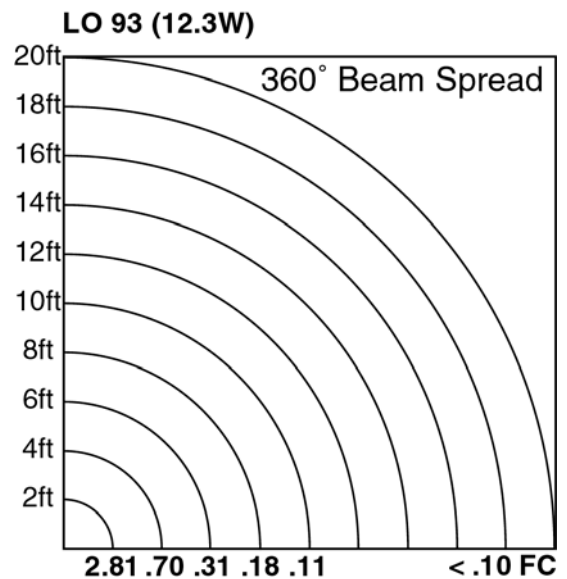
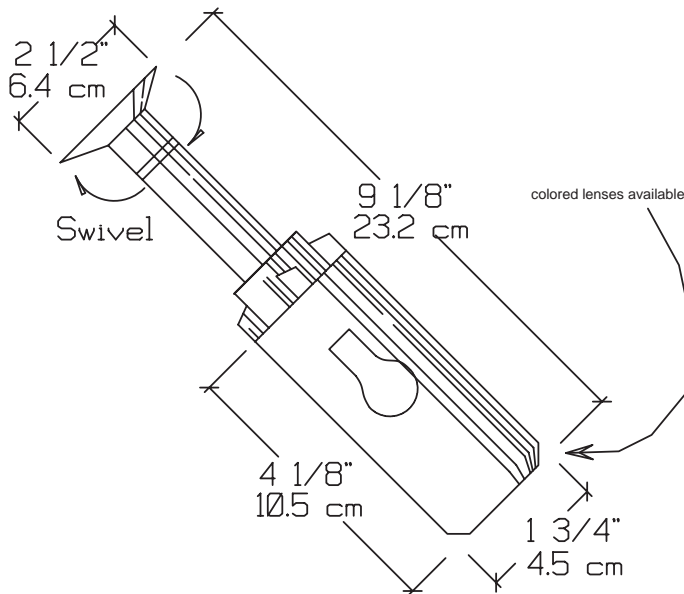
*Nightscaping*

**Alternative Lamps:** WM-0902-1 -LO1141, -LO1156, -LO67, -LO89 (Optional)

**Optional:** See above indications  
**Interior Finish: For most complete glare-free lighting.**  
 WM-0902-1-LO93 -INT-1 Interior of fixture painted black instead of white.  
**Stem:**  
 WM-0902-1-LO93 -SHORT (Optional) Fixture stem is 2" shorter, making overall fixture 7".

**Accessories:** **Lens with Retainer Ring:**  
 NS-LO-C Clear Lens  
 NS-LO-A, -B, -G, -R, -S Colored Lens  
**Light Shield: Used for extra light shielding**  
 0405-S-1, -2, -3, -4, -7, -8, -9, -AV, -VP, -W (Optional w/surcharge)  
 0405-S-CU Copper  
 0405-S-CU-V Copper-Verde

**Warranty:** 10-year 'repair or replacement' warranty. \Repair de 10 o \warranty..



STANDARD LAMP PHOTOMETRIC