

Softliter GU-0403CU

Uplighting
Backlighting
Reflective Lighting
Architectural Lighting
Sign Lighting
Wall Lighting
Mirror Lighting
Highlighting



Nightscaping®
1705 E. Colton Avenue
Redlands, California 92374
Tel: (909) 794-2121
Fax: (909) 794-7292
Help Line: (800) 544-4840
E-mail: info@nightscaping.com
<http://www.nightscaping.com>

Use the Softliter for backlighting, highlighting, and silhouetting applications that call for subdued, soft lighting. Constructed from solid copper materials, the Softliter incorporates a frosted lens to soften its light output for very inconspicuous lighting applications. The elegant design matches the effects produced and results in both a functional and aesthetically pleasing fixture.

Lamp Standard GU-0403CU -LO912 (Standard)
Material: **Top/Stem:** Copper
Finish: GU-0403 CU (Standard) Copper
GU-0403 CU-V Copper-Verde
GU-0403 CU-1, -2, -3, -4, -7, -8, -9, -AV, -VP, -W
(Optional w/surcharge)
Lens: Frosted Tempered Glass (Standard)
Socket: Non-corroding Noryl™ (Wedge Base)
Mounting: Spike Mount (Standard)

Nightscaping®

Softlites

GU-0403CU



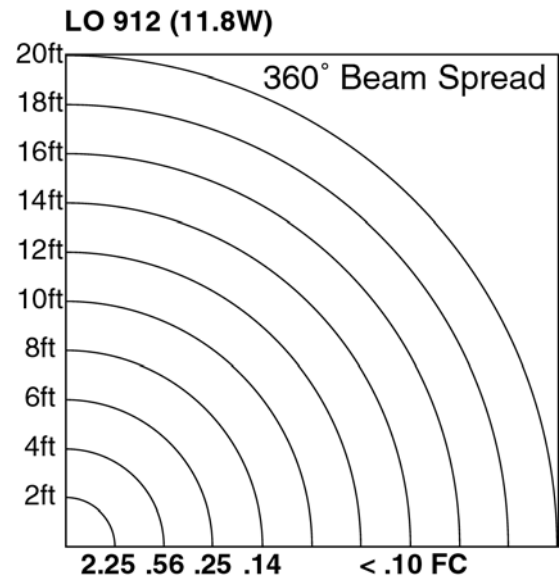
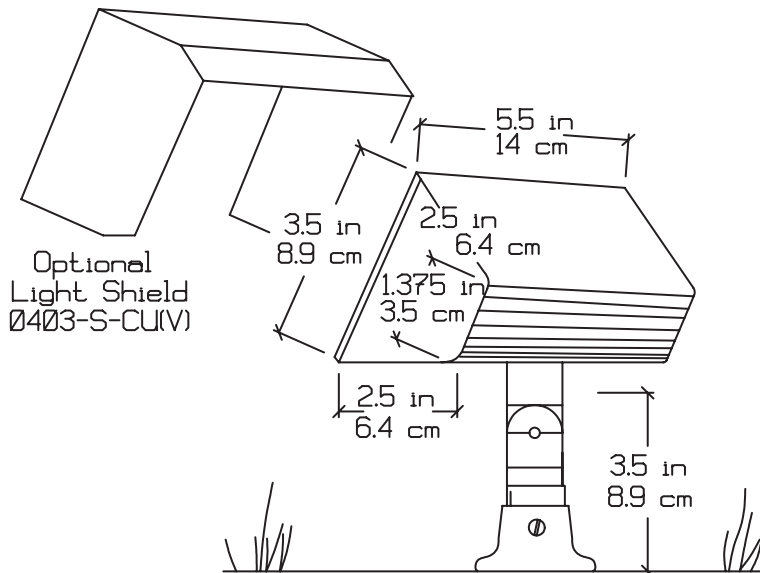
Nightscaping

Alternative Lamps:	GU-0403CU	-LO904, -LO906, -LO921 (Optional)
	Bi-Pin Lamp:	-LOQ5*, -LOQ10*, -LOQ20* (Max) (Optional w/surcharge)

Optional:	See above indications	
Lamps:	GU-0403CU-LO912 -LA2	Two Lamps. (Call Factory for Quote)
Mounting:	GU-0403CU-LO912 -CM	Conduit Mount with 1/2" male pipe threads. (Factory installed)
	GU-0403CU-LO912 -FMO	Floor Mount - Brass

Accessories:	Lens:	
	NS-SL-C (Standard/Accessory)	Clear Lens
	NS-SL-MB, -S	Colored Lens
	Light Shield: Used for extra light shielding	
	0403-S-CU	Copper
	0403-S-CU-V	Copper-Verde
	0403-S-CU-1, -2, -3, -4, -7, -8, -9, -AV, -VP, -W (Optional w/surcharge)	

Warranty: 10-year 'repair or replacement' warranty. \Repair de 10 o \warranty..



STANDARD LAMP PHOTOMETRIC