

# Sentryliter GD-1810

Pathlighting

Downlighting

Architectural Lighting

Stairway/Step Lighting

Highlight Lighting

Deck/Dock Lighting



## Nightscaping®

1705 E. Colton Avenue  
Redlands, California 92374  
Tel: (909) 794-2121  
Fax: (909) 794-7292  
Help Line: (800) 544-4840  
E-mail: [info@nightscaping.com](mailto:info@nightscaping.com)  
<http://www.nightscaping.com>

Bring timeless style and fifteen foot circles of light into your lighting designs with the Sentryliter. Used to define entry ways atop columns, to add a nautical feel to piling along the waterfront, or as a traditional pathlighting, the Nightscaping® Sentryliter is a versatile fixture that will boost safety, security and beauty throughout any property.

**Standard Lamp:** GD-1810-1 -LO912 (Standard) (2 Lamp Fixture)

**Material:** **Body:** Phosphatized Steel  
Also available in Copper

**Finish:** GD-1810 -1, -7  
GD-1810 -2, -3, -4, -8, -9, -AV, -VP, -W  
(Optional w/surcharge)  
GD-1810 CU Copper  
GD-1810 CU-V Copper-Verde

**Socket:** 2 Non-corroding Noryl™ (Wedge Base)

**Mounting:** 4" Square Plate

*Nightscaping®*

# Sentryliter

## GD-1810



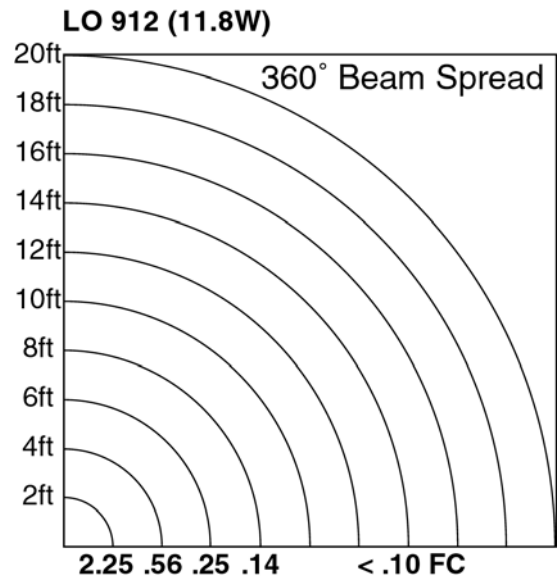
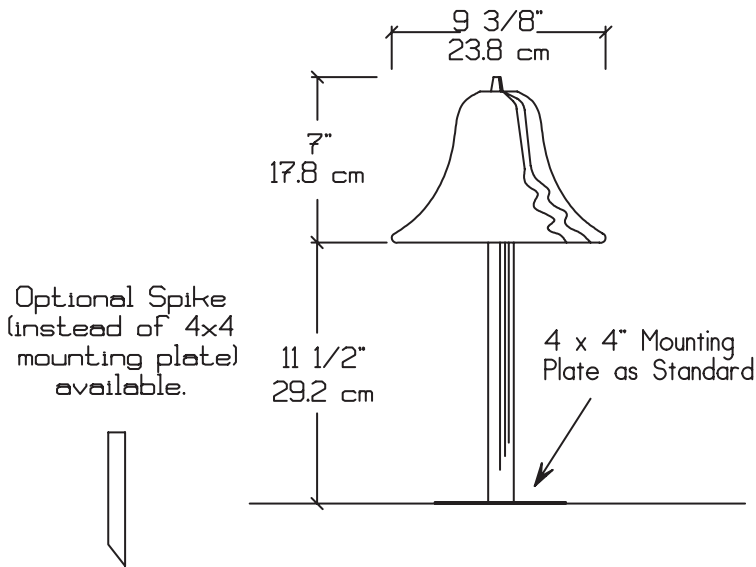
*Nightscaping*<sup>®</sup>

**Alternative Lamps:** GD-1810-1 -LO904, -LO906, -LO921

**Mounting Options:** GD-1810-1-LO912 -24.5GS (Optional) PVC/Brass Replaces 4" Square Plate for ground mounting. Fixture will be adapted to conduit mount. (Factory Installed)

**Options:** **Stem:** Custom lengths available at an additional cost.

**Warranty:** 10-Year 'Repair or Replace' Warranty.



STANDARD LAMP PHOTOMETRIC