

# Scout GD-1504CU

Pathlighting

Architectural Lighting

Stairway/Step Lighting

Downlighting

Highlighting



**Nightscaping®**

1705 E. Colton Avenue  
Redlands, California 92374  
Tel: (909) 794-2121  
Fax: (909) 794-7292  
Help Line: (800) 544-4840  
E-mail: [info@nightscaping.com](mailto:info@nightscaping.com)  
<http://www.nightscaping.com>

Use the Nightscaping® Scout wherever a discreet, durable and adjustable pathlighting is needed. The Scout's innovative design allows you to modify and control the light pattern produced to meet your exact need. This fixture is appropriate for providing both effective traverse lighting or for downlighting specimen plant materials in low-lying planters, raised beds, or around hardscape borders.

**Standard Lamp:** GD-1504CU -LOQ20 (Standard)

**Material:** **Top/Stem:** Copper  
Also available in Stainless Steel

**Finish:** GD-1504 CU (Standard) Copper  
GD-1504 CU-V Copper-Verde  
GD-1504 CU-1, -2, -3, -4, -7, -8, -9, -AV, -VP, -W  
(Optional w/surcharge)

**Lens:** Clear Pyrex Tubing (Standard)

**Socket:** Ceramic G4 Bi-Pin

**Mounting:** Spike Mount (Standard)

*Nightscaping®*

# Scout

## GD-1504CU



*Nightscaping*<sup>®</sup>

**Alternative Lamps:** GD-1504CU -LOQ5, -LOQ10, -LOQ35, LOQX20, LOQX10, LOQX5(Optional)

**Options:** -H12 (12" Bushing) -H05 (5" Bushing)

**Mounting:**

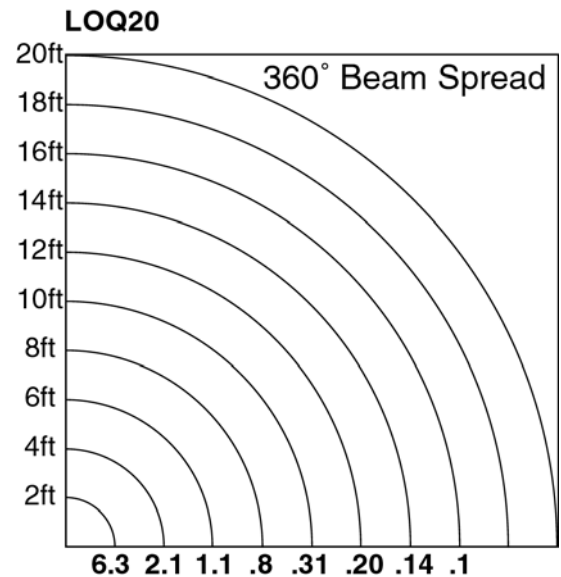
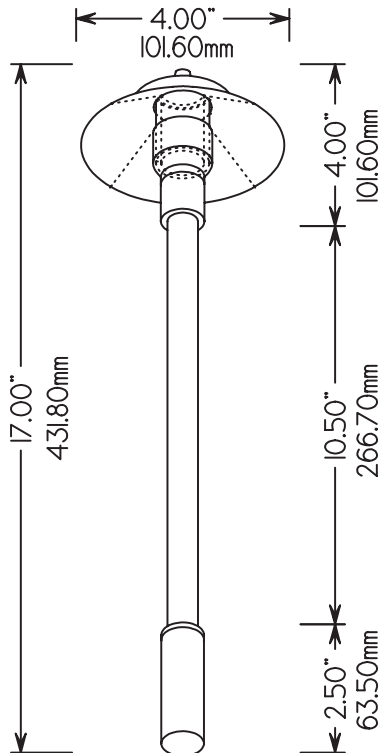
GD-1504CU -LOQ20 -CM	Conduit Mount with ½" male pipe threads. (Factory installed)
GD-1504CU -LOQ20 -FMO	Floor Mount - Brass
GD-1504CU -LOQ20 -S	Shield

**Accessories:**

See above indications  
1504-S-CU Shield

**Warranty:**

10-Year 'Repair or Replace' Warranty.



STANDARD LAMP PHOTOMETRIC

### DESIGN TIP\*

Use the Scout in applications that call for highly controlled pathlighting.