

# Sagitta RD-0202

Pathlighting

Architectural Lighting

Patio/Gazebo Lighting

Dock/Deck Lighting

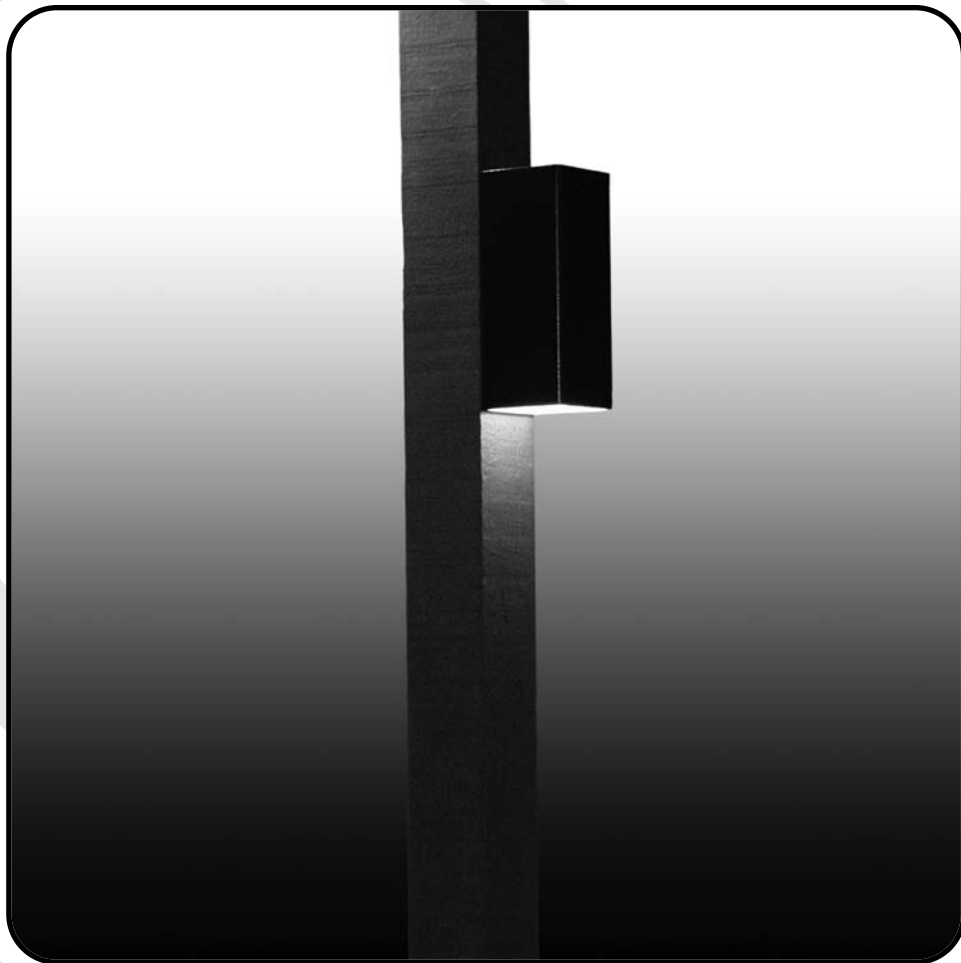
Stairway/Step Lighting

Downlighting

Backlighting

Reflective Lighting

Wall Lighting



## Nightscaping®

1705 E. Colton Avenue  
Redlands, California 92374  
Tel: (909) 794-2121  
Fax: (909) 794-7292  
Help Line: (800) 544-4840  
E-mail: [info@nightscaping.com](mailto:info@nightscaping.com)  
<http://www.nightscaping.com>

Install the Nightscaping® Sagitta on wrought iron fences, deck railings, posts & pickets, under overhangs and benches or virtually anywhere a soft, warm light is needed. The sleek, compact design and availability of either black or white lead wires, allows you to provide functional traverse and accent lighting with an inconspicuous yet effective fixture.

**Standard Lamp:** RD-0202 -LO93 (Standard)

**Material:** **Body:** Phosphatized Steel

**Finish:** RD-0202 -1, -7 (Standard)  
RD-0202 -2, -3, -4, -8, -9, -AV, -VP, -W  
(Optional w/surcharge)

**Socket:** Non-corroding polycarbonate (Single-Contact Bayonet)

**Mounting:** Key-hole Slot Mount (Standard)

*Nightscaping®*

# Sagitta

RD-0202

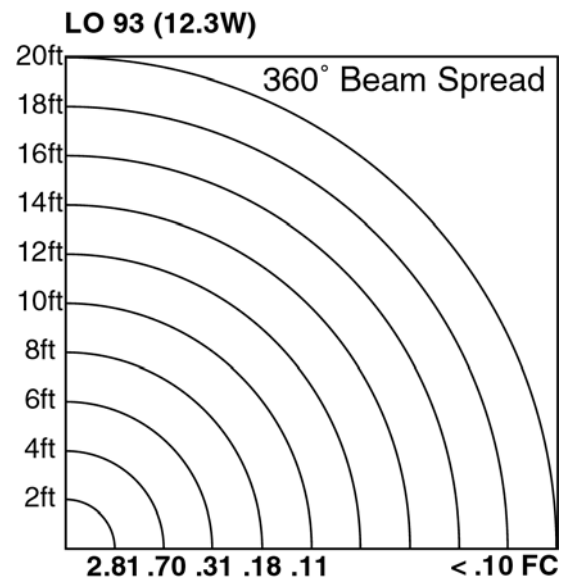
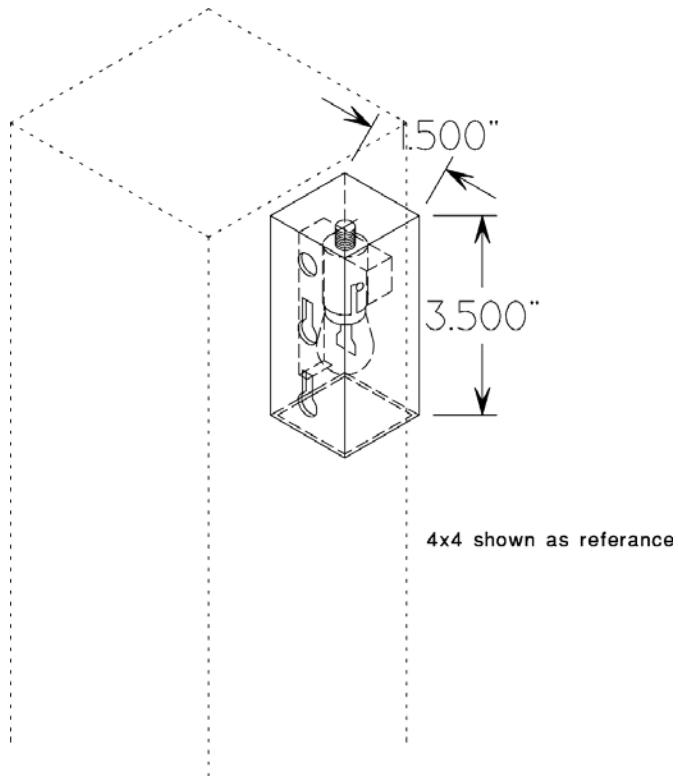
*Nightscaping*<sup>®</sup>

Alternative RD-0202-1 -LO1141, -LO1156, -LO67, -LO89 (Optional)

Lamps:

Options: See above indications

Warranty: 10-Year 'Repair or Replace' Warranty.



STANDARD LAMP PHOTOMETRIC

**DESIGN TIP\***