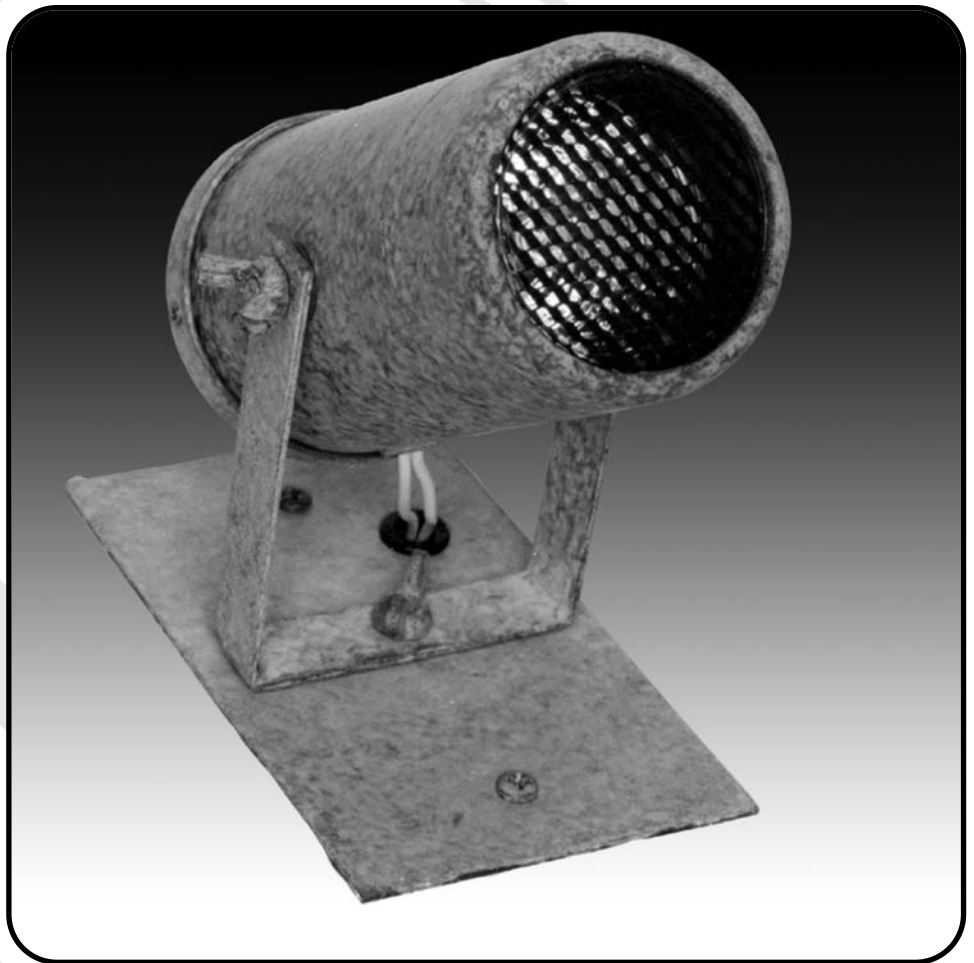


Maxispotter WM-0502CU

Downlighting
Spot Lighting
Architectural Lighting
Patio/Gazebo Lighting
Fountain/Statue Lighting
Area Lighting
Highlighting
Flood Lighting
Sign Lighting
Wall Lighting
Moonlighting
Recreational Lighting
Reflective Lighting
Cross Lighting



Nightscaping®
1705 E. Colton Avenue
Redlands, California 92374
Tel: (909) 794-2121
Fax: (909) 794-7292
Help Line: (800) 544-4840
E-mail: info@nightscaping.com
<http://www.nightscaping.com>

Use the Maxispotter when you need a high quality spot from a compact fixture. Made of solid copper with a brass mounting plate and yoke, the Maxispotter is both attractive and functional. This fixture can be hidden in many out of the way places such as behind down spouts, high in trees, or in visible areas thanks to its small size and aesthetic appearance.

Lamp Standard WM-0502CU -LO2036 (Standard)
Material: **Body:** Copper
Mount Plate/Yoke: Brass
Finish: WM-0502 CU (Standard) Copper
WM-0502 CU-V Copper-Verde
WM-0502 CU-1, -2, -3, -4, -7, -8, -9, -AV, -VP, -W
(Optional w/surcharge)
WM-0502 SS Stainless Steel
(Call Factory for Quote)
Lens: Clear Pyrex Lens (Standard) - sealed with silicone
Socket: Ceramic G6.35 Bi-Pin
Mounting: Wall Mount (Standard)

Nightscaping®

Maxispotter

WM-0502CU



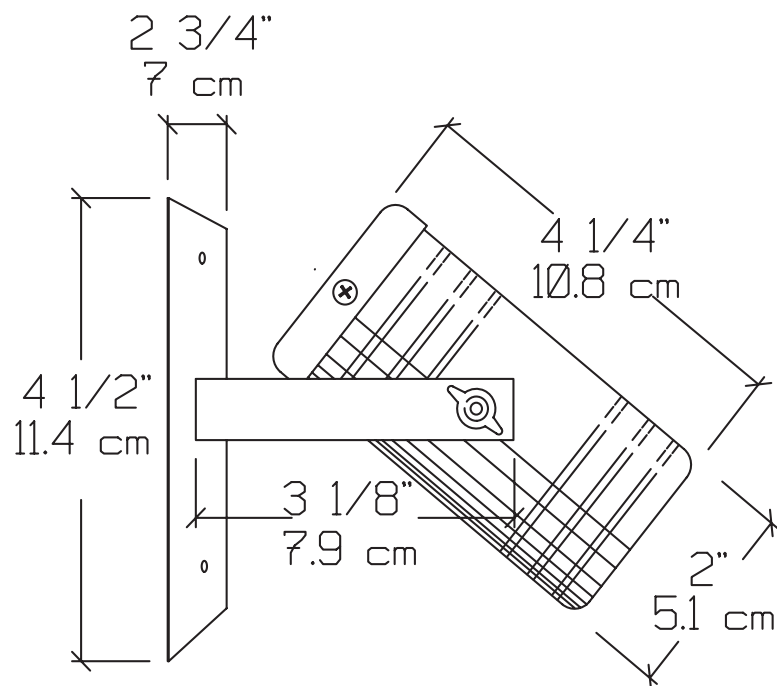
Nightscaping

Alternative Lamps:	WM-0502CU	-LO1024*, -LO2006, -LO2012, -LO3512, -LO3520, -LO3540, -LO4208, -LO5012, -LO5024, -LO5038, -LO5055, -LH5024*, -LH5036* (Optional)
	BM-0502CU	-LO93 (SCB Lamp Option)
	BM-0502CU	-LO1141, -LO1156, -LO67, -LO89 (SCB Lamp Option)
	* = Surcharge	

Optional: See above indications

Accessories:	Lens:	
	NS-CU-C (Standard/Accessory)	Clear Lens
	NS-CU-A, -B, -G, -MB, -R, -S	Colored Lens
	Light Shield: Used for extra light shielding	
	0602-S-CU	Copper
	0602-S-CU-V	Copper-Verde
	0602-S-CU-1, -2, -3, -4, -7, -8, -9, -AV, -VP, -W (Optional w/surcharge)	
	Louvre:	
	LR-0202	Round 1/8" Black Louvre - Steel

Warranty: 10-year 'repair or replacement' warranty. \Repair de 10 o \warranty..



	LO 2036 (BAB) (20W)	42° x 42°
2ft	1'6"	131.3 FC
4ft	3'0"	32.8
6ft	4'7"	14.6
8ft	6'1"	8.2
10ft	7'8"	5.3
12ft	9'2"	3.7
14ft	10'9"	2.7
16ft	12'3"	2.1
18ft	13'9"	1.6
20ft	15'4"	1.3

STANDARD LAMP PHOTOMETRIC

DESIGN TIP*

Aim the Maxispotter at ceilings to cast reflected light down into any covered outdoor area.