

Libertyliter GD-4810

Downlighting
Pathlighting
Architectural Lighting
Area Lighting
Stairway/Step Lighting
Highlighting
Deck/Dock Lighting
Recreational Lighting



Nightscaping®
1705 E. Colton Avenue
Redlands, California 92374
Tel: (909) 794-2121
Fax: (909) 794-7292
Help Line: (800) 544-4840
E-mail: info@nightscaping.com
<http://www.nightscaping.com>

Illuminate large areas in the landscape with a single fixture when you specify the Nightscaping® brand Libertyliter. Standing tall at 53-1/2" and providing a circle of light approximately 18 feet in diameter, the Libertyliter is ideal for lighting large flower beds, swimming pool perimeters, gates and entrances or anywhere else controlled, widespread illumination is required.

Standard Lamp: GD-4810-1 -LO93 (Standard)

Material: **Bell/Stem:** Phosphatized Steel
Also available in Copper

Finish: GD-4810 -1, -7 (Standard)
GD-4810 -2, -3, -4, -8, -9, -AV, -VP, -W
(Optional w/surcharge)
GD-4810 CU Copper
GD-4810 CU-V Copper-Verde

Socket: Non-corroding polycarbonate (Single-Contact Bayonet)

Mounting: Spike Mount (Standard)

Nightscaping®

Libertyliter

GD-4810

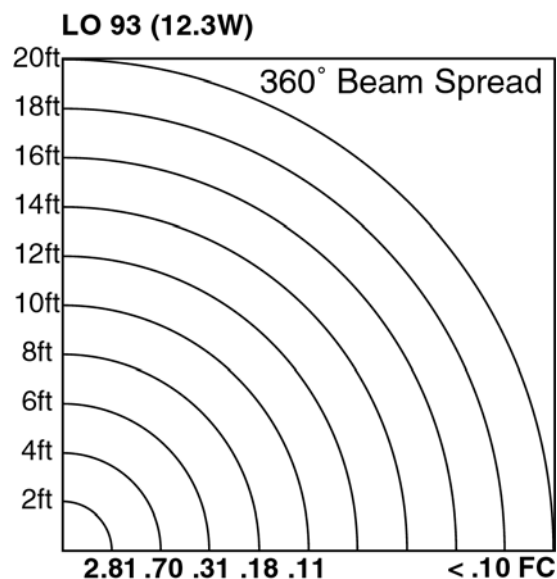
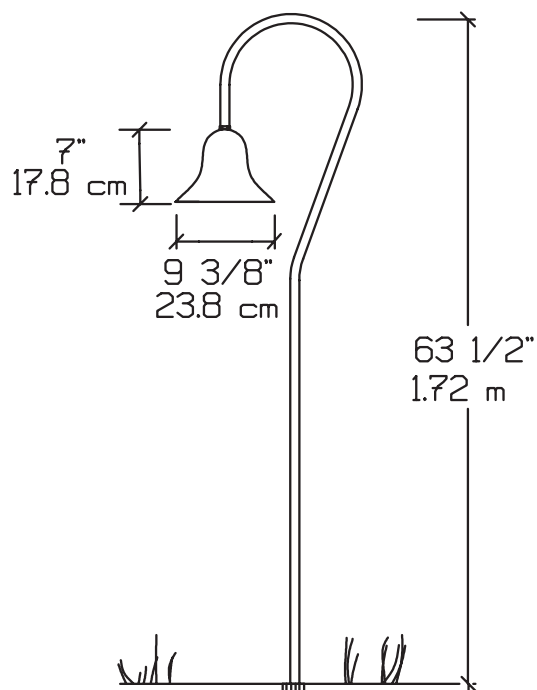


Nightscaping[®]

Alternative Lamps: GD-4810-1 -LO1141, -LO1156, -LO67, -LO89 (Optional)

Options: See above indications
Spike Mount :
GD-4810-1-GS18
-MP 4" Square Mounting Plate

Warranty: 10-Year 'Repair or Replace' Warranty.



STANDARD LAMP PHOTOMETRIC

DESIGN TIP*

Available with a custom angle bracket that allows for vertical wall mounting and facade or sign lighting.