

La Paloma Litter

AP-3540

Nightscaping[®]

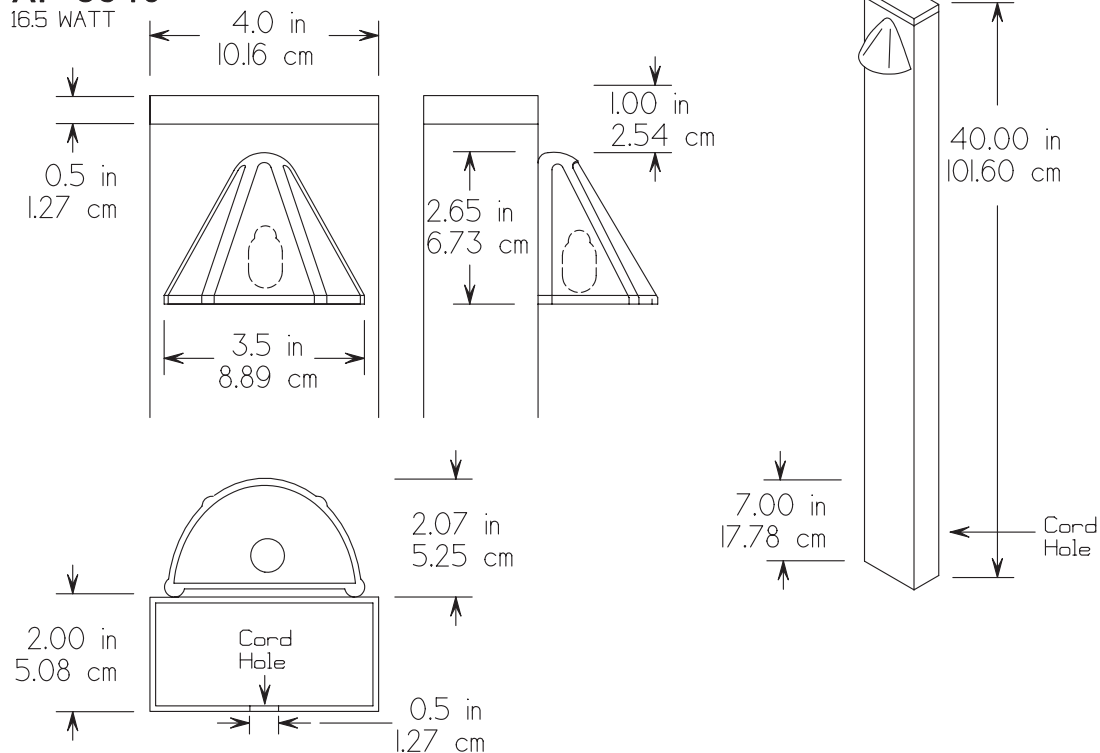
Alternative Lamps: AP-3540 -LO904, -LO906, -LO912 (Optional)

Options: See above indications

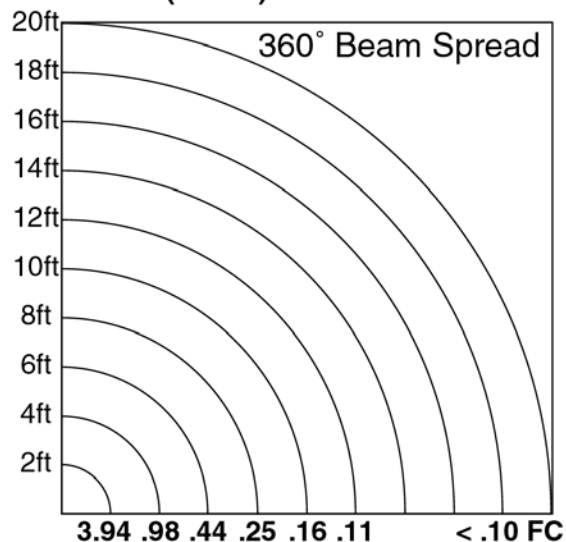
Warranty: 10-Year 'Repair or Replace' Warranty.

LA PALOMALITER AP-3540

16.5 WATT



LO 921 (16.5W)



STANDARD LAMP PHOTOMETRIC