

Jayliter GU-1901CU

Uplighting
Spot Lighting
Architectural Lighting
Cross Lighting
Pathlighting
Backlighting
Fountain/Statue Lighting
Sign Lighting
Wall Lighting



Nightscaping®
1705 E. Colton Avenue
Redlands, California 92374
Tel: (909) 794-2121
Fax: (909) 794-7292
Help Line: (800) 544-4840
E-mail: info@nightscaping.com
<http://www.nightscaping.com>

Use the adjustable Nightscaping® Jayliter in applications and projects that demand a versatile, premium quality fixture. This innovative addition to the Nightscaping® Artisan Series features MR-8 lamp technology offering you a highly compact yet powerful light source. The Jayliter is small enough to install where other fixtures won't fit, yet functional enough to address all of your spot and highlighting requirements. The Jayliter is supplied standard with an MR-8 wide flood; however, an alternate narrow spot lamp is also available based on your specifications.

Standard Lamp: GU-1901CU - LO82023C

Material: Top/Stem: Copper and Brass

Finish: GU-1901CU CU (Standard) Copper
GU-1901CU CU-V Copper-Verde
GU-1901CU CU-1, -2, -3, -4, -7, -8, -9, -AV, -VP, -W
(Optional w/surcharge)

Socket: Ceramic G6.35 G4 Bi-Pin/MR-16

Mounting: Brass Spike Mount (Standard)

Nightscaping®

Jayliter

GU-1901CU

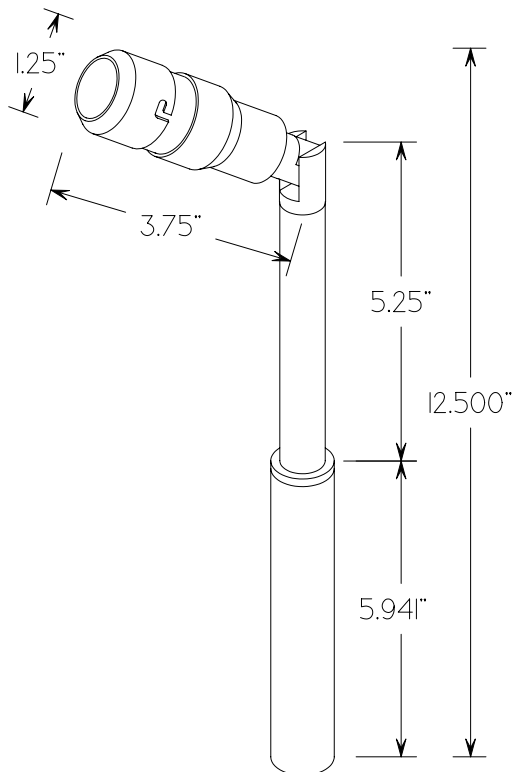
Nightcaping

Alternative Lamps: GU-1901CU - LO82010C (Optional)
-NL (No Lamp)

Options: -CM Conduit Mount
-CXM Conduit Mount (No Stem)
-FMO Floor Mount (Optional w/surcharge)
1901-S-CU Eyebrow (Optional w/surcharge)

Warranty: 10-Year 'Repair or Replace' Warranty.

Do not use with lamps in excess of 20-Watts.



	LO82023C (20W) MR-8	23° x 23°
2ft	9"	310 FC
4ft	1'7"	79.0
6ft	2'5"	37.0
8ft	3'3"	20.0
10ft	4'0"	13.0
12ft	5'0"	8.6
14ft	5'8"	6.5
16ft	6'6"	5.0
18ft	7'3"	3.9
20ft	8'1"	2.8

STANDARD LAMP PHOTOMETRIC

DESIGN TIP*

Use in confined spaces where other fixtures do not fit. Choose standard flood or optional spotlighting capabilities.