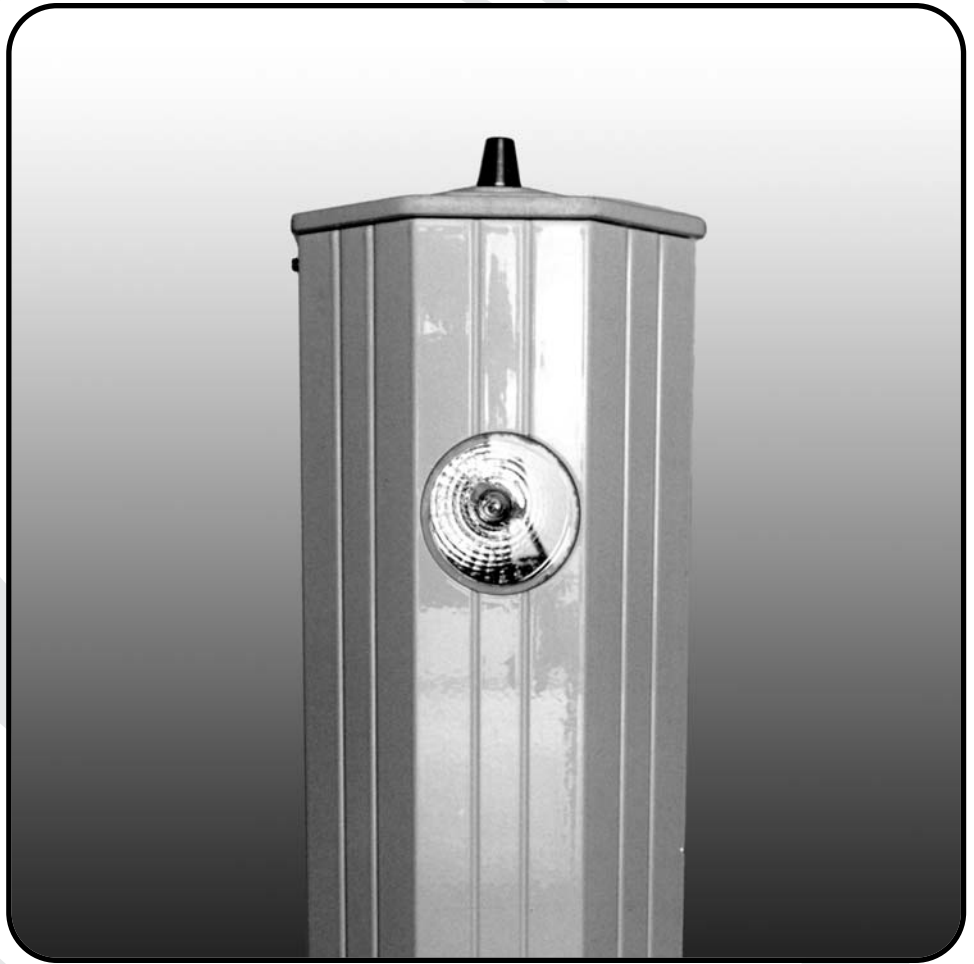


Executive

AP-0436, AP-0448, AP-0460

Pathlighting
Architectural Lighting
Area Lighting
Reflective Lighting
Highlighting
Deck/Dock Lighting
Stairway/Step Lighting



Nightscaping®
1705 E. Colton Avenue
Redlands, California 92374
Tel: (909) 794-2121
Fax: (909) 794-7292
Help Line: (800) 544-4840
E-mail: info@nightscaping.com
<http://www.nightscaping.com>

Originally designed for use at the White House, the handsome Executive is a multi-purpose fixture that you can install in groups to light entire public areas or individually to highlight specific landscape features. This proven fixture can also be used as a bollard to both direct and control foot traffic in highly traveled areas.

Standard Lamp: AP-0436-1 -LO2036 (Standard)

Material: Extruded Aluminum

Finish: AP-0436 -1, -7 (Standard)
AP-0436 -2, -3, -4, -8, -9, -AV, -VP, -W
(Optional w/surcharge)

Lens: AP-0436-1-LO2036 -C (Standard)

Socket: Ceramic G6.35 Bi-Pin

Mounting: Direct Burial (Standard)

Nightscaping®

Executive

AP-0436, AP-0448, AP-0460



Nightscaping[®]

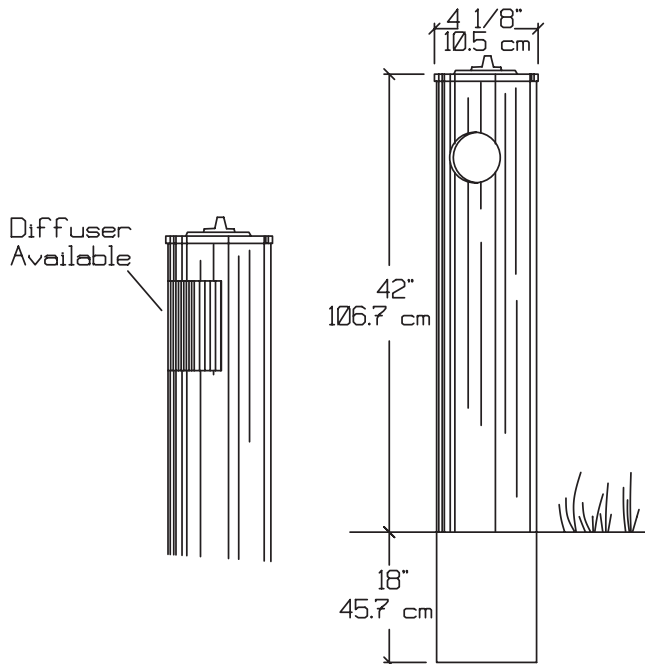
Alternative Lamps: AP-0436-1 -LO1024*, -LO2006, -LO2012, -LO3512, -LO3520, -LO3540, -LO4208, -LO5012, -LO5024, -LO5038, -LO5055, -LH5024*, -LH5036* (Optional)
 * = Surcharge

Lens: AP-0436-1-LO2036 -A, -B, -G, -R, -S (Optional)
 AP-0436-1-LO2036 -DIFH (Optional) Half Diffuser instead of lens port. Specify location and size.
 AP-0436-1-LO2036 -DIFF (Optional) Full Diffuser instead of lens port. Covers fixture circumference. Specify location and size

Mounting Options: AP-0436-1-LO2036 -CM4 (Optional) Concealed Mounting Base. When ordered, overall fixture length will exclude 18" allotted for direct burial. Finished lengths will be:
 AP-0436-1-LO2036-CM4 18" Total
 AP-0448-1-LO2036-CM4 30" Total
 AP-0460-1-LO2036-CM4 42" Total
 This base will automatically be included with any orders for additional lamps or ports

Options: See above indications
 AP-0436-1-LO2036 -LONG (Optional) Custom Body Length (specify length)
 AP-0436-1-LO2036 -PORT (Optional) Additional Ports and Lamps can be added with certain restrictions. Call Factory for assistance in designing

Warranty: 10-Year 'Repair or Replace' Warranty.



	LO 2036 (BAB) (20W)	42° x 42°
2ft	1'6"	131.3 FC
4ft	3'0"	32.8
6ft	4'7"	14.6
8ft	6'1"	8.2
10ft	7'8"	5.3
12ft	9'2"	3.7
14ft	10'9"	2.7
16ft	12'3"	2.1
18ft	13'9"	1.6
20ft	15'4"	1.3

STANDARD LAMP PHOTOMETRIC