

Dualiter UD-0702CU

Downlighting

Architectural Lighting

Patio/Gazebo Lighting

Wall Lighting

Backlighting

Reflective Lighting



Nightscaping®

1705 E. Colton Avenue
Redlands, California 92374
Tel: (909) 794-2121
Fax: (909) 794-7292
Help Line: (800) 544-4840
E-mail: info@nightscaping.com
<http://www.nightscaping.com>

Uplight architecture and downlight walkways at the same time with a single Nightscaping® Dualiter. This is only an example of the lighting possibilities available to you through the Dualiter's combined up and down design. The solid Copper construction makes this fixture a beautiful addition to any landscape.

Lamp Standard UD-0702CU -LO2036 (Standard)

Material: **Body:** Copper
Mount Plate: Brass

Finish: UD-0702 CU (Standard) Copper
UD-0702 CU-V Copper-Verde
UD-0702 CU-1, -2, -3, -4, -7, -8, -9, -AV, -VP, -W
(Optional w/surcharge)
UD-0702 SS Stainless Steel
(Call Factory for Quote)

Lens: Clear Pyrex Lens (Standard) - sealed with silicone

Socket: Ceramic G6.35 Bi-Pin

Mounting: Wall Mount (Standard)

Nightscaping®

Dualiter

UD-0702CU



Nightscaping

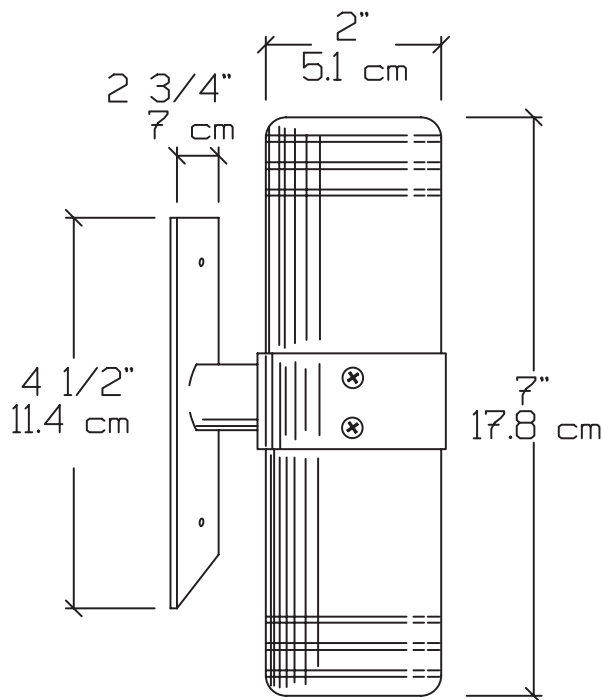
Alternative Lamps: UD-0702CU -LO1024*, -LO2006, -LO2012, -LO3512, -LO3520, -LO3540 (Optional)
 BD-0702CU -LO93, -LO1141, -LO1156, -LO67, -LO89 (SCB Lamp Option)
 * = Surcharge

Lens: UD-0702CU-LO2036 -A, -B, -G, -MB, -R, -S (Optional)

Optional: See above indications
 UD-0702CU-LO2036 -CP (Optional) One End of Body Capped
Mount Plate:
 UD-0702CU-LO2036 -NMO (Optional) No Mount Plate

Accessories: **Lens:**
 NS-CU-C (Standard/Accessory) Clear Lens
 NS-CU-A, -B, -G, -MB, -R, -S Colored Lens
Light Shield: Used for extra light shielding
 0602-S-CU Copper
 0602-S-CU-V Copper-Verde
 0602-S-CU-1, -2, -3, -4, -7, -8, -9, -AV, -VP, -W (Optional w/surcharge)
Louvre:
 LR-0202 Round 1/8" Black Louvre - Steel

Warranty: 10-year 'repair or replacement' warranty. \Repair de 10 o \warranty..



	LO 2036 (BAB) (20W)	42° x 42°
2ft	1'6"	131.3 FC
4ft	3'0"	32.8
6ft	4'7"	14.6
8ft	6'1"	8.2
10ft	7'8"	5.3
12ft	9'2"	3.7
14ft	10'9"	2.7
16ft	12'3"	2.1
18ft	13'9"	1.6
20ft	15'4"	1.3

STANDARD LAMP PHOTOMETRIC

DESIGN TIP*

Available with rectangular, circular, or square mounting plates. Call the factory for a custom quote.