

# Constitution WM-0203CU

## Downlighting

## Pathlighting

Architectural Lighting  
Patio/Gazebo Lighting  
Deck/Dock Lighting  
Sign/wall Lighting  
Stairway/Step Lighting



## Nightscaping®

1705 E. Colton Avenue  
Redlands, California 92374  
Tel: (909) 794-2121  
Fax: (909) 794-7292  
Help Line: (800) 544-4840  
E-mail: [info@nightscaping.com](mailto:info@nightscaping.com)  
<http://www.nightscaping.com>

Install the Nightscaping® brand Constitution on sidewalls along paths, steps and stairs to provide traverse lighting to boost the safety and aesthetic value of any property. Also, try the Constitution under eaves, benches and deck railings, inside planters or anywhere else a compact light source is needed. An optional light shield is available that you can use to reduce glare when installing the fixture in visible locations.

**Lamp Standard** WM-0203CU -LOQ20 (Standard)

**Material:** **Body:** Copper  
**Yoke Mounting:** Brass

**Finish:** WM-0203 CU (Standard) Copper  
WM-0203 CU-V Copper-Verde  
WM-0203 CU-1, -2, -3, -4, -7, -8, -9, -AV, -VP, -W  
(Optional w/surcharge)

**Lens:** Clear Pyrex Tubing (Standard)

**Socket:** Ceramic G4 Bi-Pin

**Mounting:** Wall Mount (Standard)

*Nightscaping®*

# Constitution

WM-0203



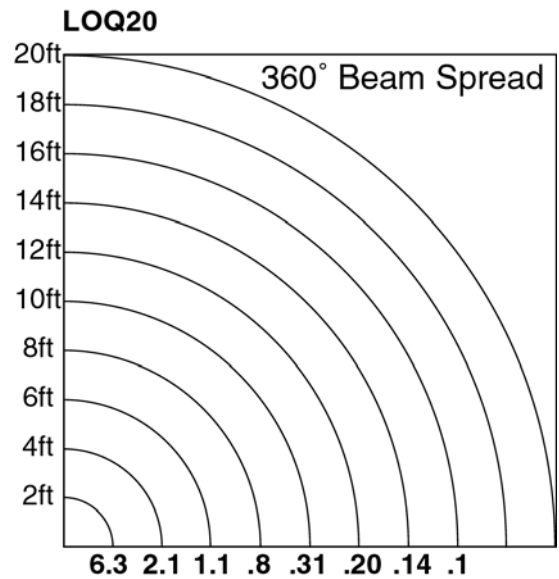
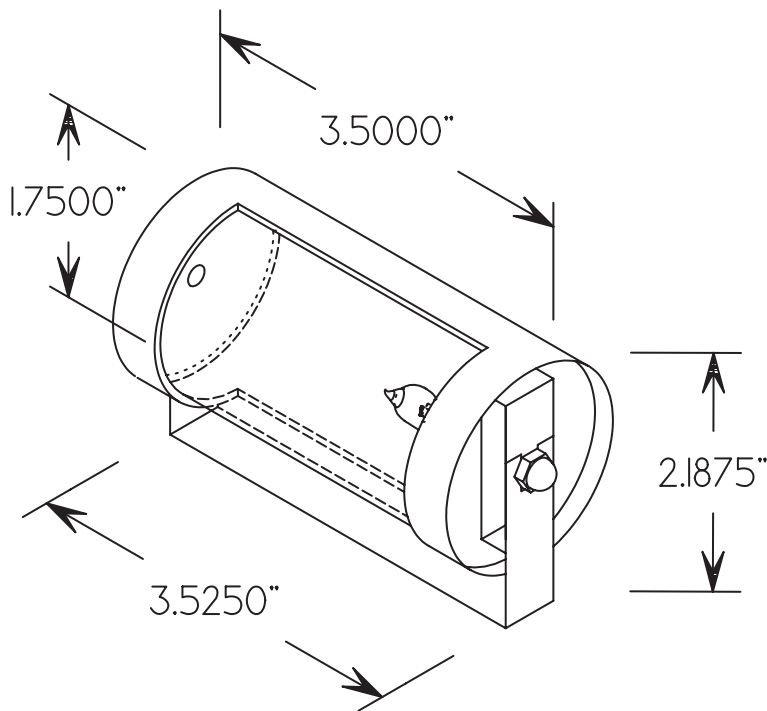
*Nightscaping*

**Alternative Lamps:** WM-0203CU -LOQ5, -LOQ10, -LOQ35 (Optional)

**Optional:** See above indications  
Shield 1703-s-CU

**Accessories:** Lens: NS-MU-C

**Warranty:** 10-year 'repair or replacement' warranty. \Repair de 10 o \warranty..



STANDARD LAMP PHOTOMETRIC