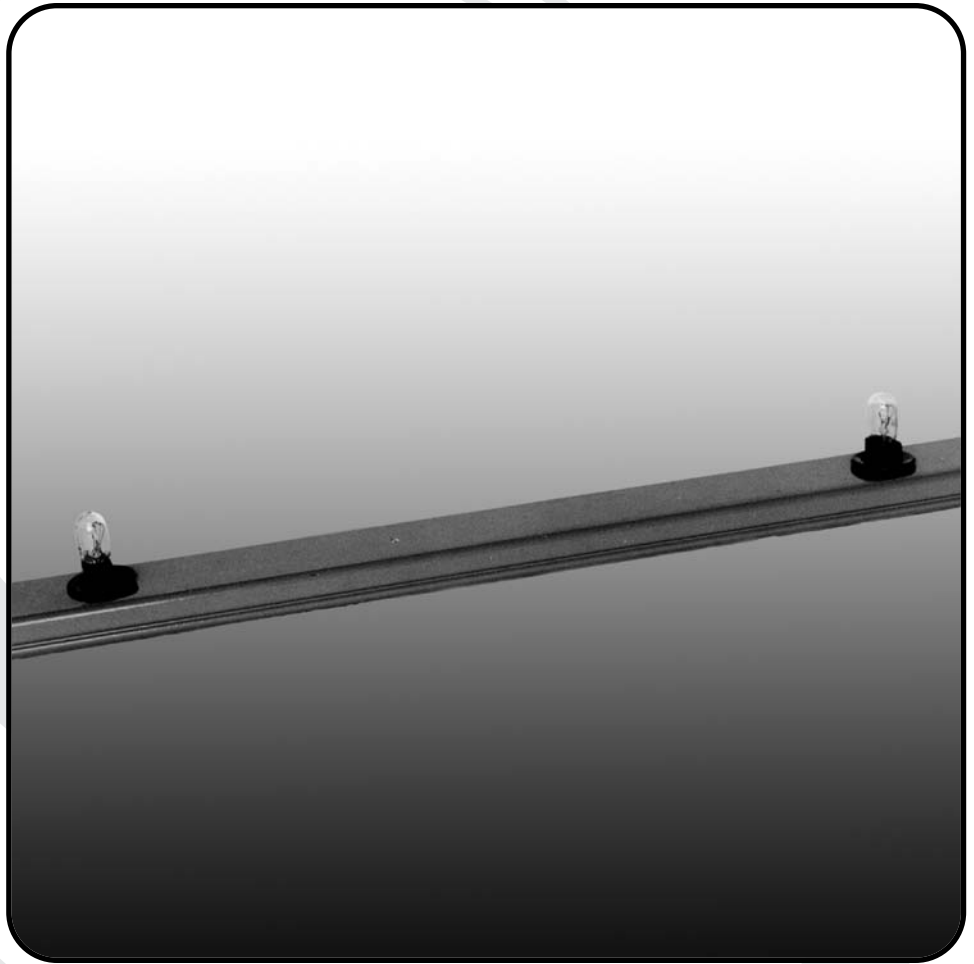


Channeliter

CL-1060, CL-7560, CL-1260

Architectural Lighting
Patio/Gazebo Lighting
Deck/Dock Lighting
Recreational Lighting
Stairway/Step Lighting



Nightscaping®

1705 E. Colton Avenue
Redlands, California 92374
Tel: (909) 794-2121
Fax: (909) 794-7292
Help Line: (800) 544-4840
Email: wlocklin@nightscaping.com
<http://www.nightscaping.com>

Enhance architectural features and add light and detail to signage with the Channeliter. This commercial rated product is designed for long lasting, permanent string light applications. The Channeliter can be custom powder-coated to your specifications so that it closely matches the surroundings and remains a hidden light source.

- Standard Lamp:** CL-1060 -LO194 (Standard 2.4W)
- Material:** **Channel:** Phosphatized Steel
- Finish:** CL-1060 (Standard) Primer Gray
 CL-1060 -W (Optional w/surcharge)
- Socket:** Non-corroding Noryl™ (Wedge Base)
- Mounting:** Mountable on wood, brick or suspended on cable.

Nightscaping™ The Safe System

Channeliter

CL-1060



Nightscaping™ Safe System

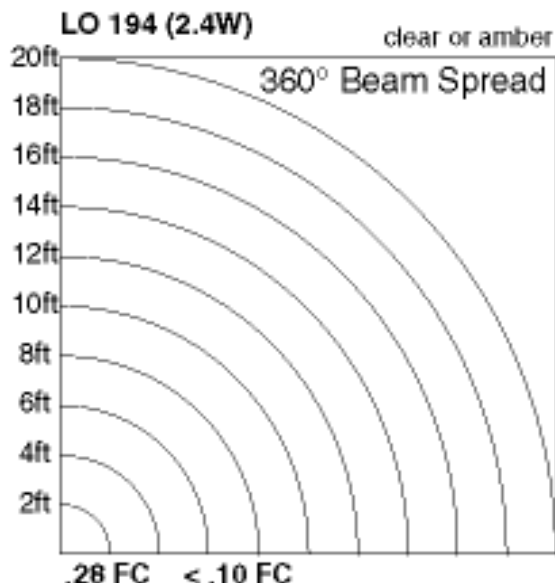
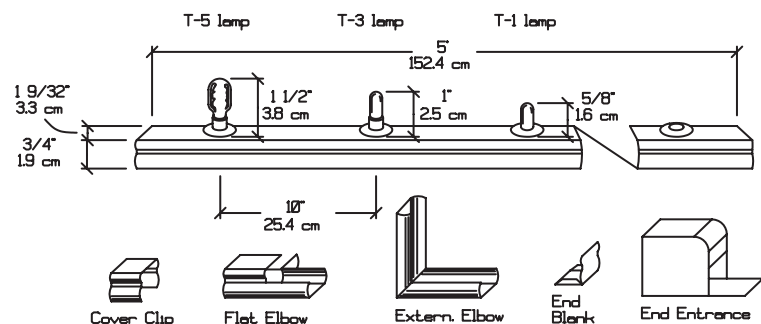
Alternative Lamps: CL-1060 -LO161, -LO194A*, -LO658*, -LO659*, -LO73, -LO904, -LO906, -LO912, -LO921 (Optional)
 * = Surcharge

Lamp Spacing: CL-1060 10" On-Center.
 CL-1260 12" On-Center.
 CL-7560 7 ½" On-Center.

Options: See above indications
Finish: Standard Powder-coat Primer Gray can be painted to match background.

Accessories: CL-10BE Steel - End Blank
 CL-10CO Steel - Coupling
 CL-10CP Steel - Cover Clip
 CL-10EE Steel - End Entrance
 CL-10EL Steel - External Elbow
 CL-10FE Steel - Flat Elbow
 CL-10GC Steel - Ground Clamp
 CL-10IC Steel - Internal Corner

Warranty: 10-Year 'Repair or Replace' Warranty.



STANDARD LAMP PHOTOMETRIC

