

Bricklitter WM-0802

Architectural Lighting
Patio/Gazebo Lighting
Deck/Dock Lighting
Wall Lighting
Stairway/Step Lighting
Pathlighting



Nightscaping®
1705 E. Colton Avenue
Redlands, California 92374
Tel: (909) 794-2121
Fax: (909) 794-7292
Help Line: (800) 544-4840
E-mail: info@nightscaping.com
<http://www.nightscaping.com>

Use the Nightscaping® brand Bricklitter wherever a small recessed light is needed. Designed to be the size of a standard brick, this fixture can be installed where other fixtures might be too conspicuous in the landscape. It is ideal as a hidden source of safety light.

Standard Lamp: WM-0802-1 -LO93 (Standard) (2 lamp fixture)

Material: **Plate:** Stainless Steel
Also available in Copper

Base Box: Phosphatized Steel

Finish: WM-0802 -1, -7 (Standard)
WM-0802 -2, -3, -4, -8, -9, -AV, -VP, -W
(Optional w/surcharge)
WM-0802 CU Copper
WM-0802 CU-V Copper-Verde
WM-0802 SS Stainless Steel

Lens: Horizontal Louvered Plate (Standard)

Socket: Non-corroding polycarbonate (Single-Contact Bayonet)

Mounting: Fits any standard Red Brick sized space.
May be grouted into place

Nightscaping®

Brickliter

WM-0802



Nightscaping®

Alternative WM-0802-1 -LO1141, -LO1156, -LO67, -LO89 (Optional)

Lamps:

Options:

See above indications

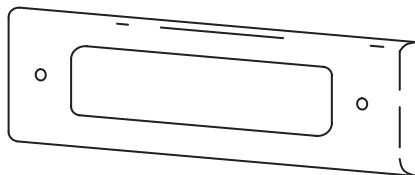
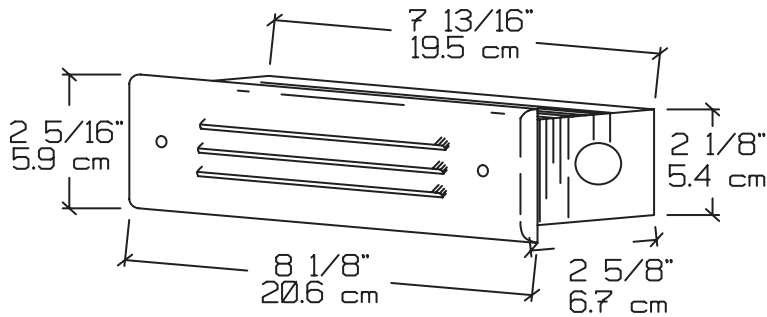
Face Plate:

WM-0802-1-LO93 -T

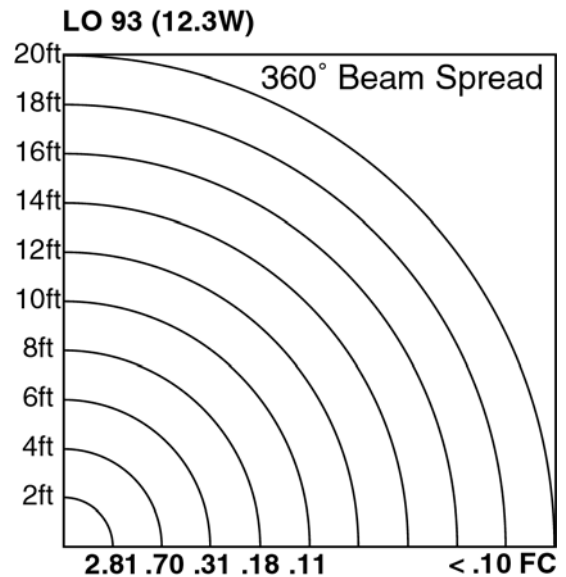
Rectangular Translucent Lexan lens instead of horizontal louvers.

Warranty:

10-Year 'Repair or Replace' Warranty.



Transparent
Plate Available



STANDARD LAMP PHOTOMETRIC

DESIGN TIP*

The Brickliter is appropriate for vertical mounting and is available with a custom Stainless Steel cover plate featuring a slot mount design that allows for adjustment of this cover plate.