

**MATERIALS:**

TOP: CAST ALUMINUM  
STEM: STAINLESS STEEL

**LAMP:**

LOQ20 (STANDARD LAMP)  
20 WATTS, G4 BI-PIN QUARTZ HALOGEN

**FINISH:**

GU-0965 -1 (BLACK), -7 (WEATHERED IRON)  
(STANDARD POLYESTER POWDER COAT)  
GU-0965 -2 (NATIVE GREEN), -3 (TAN), -4 (BRONZE),  
-8 (SANDSTONE), -9 (EARTHTONE), -W (WHITE),  
-AV (ANTIQUA VERDE), -VP (VERDE POWDER)  
(OPTIONAL POLYESTER POWDER COAT:  
ADDITIONAL CHARGE)

**SOCKET:**

CERAMIC G4 BI-PIN (STANDARD)

**LENS:**

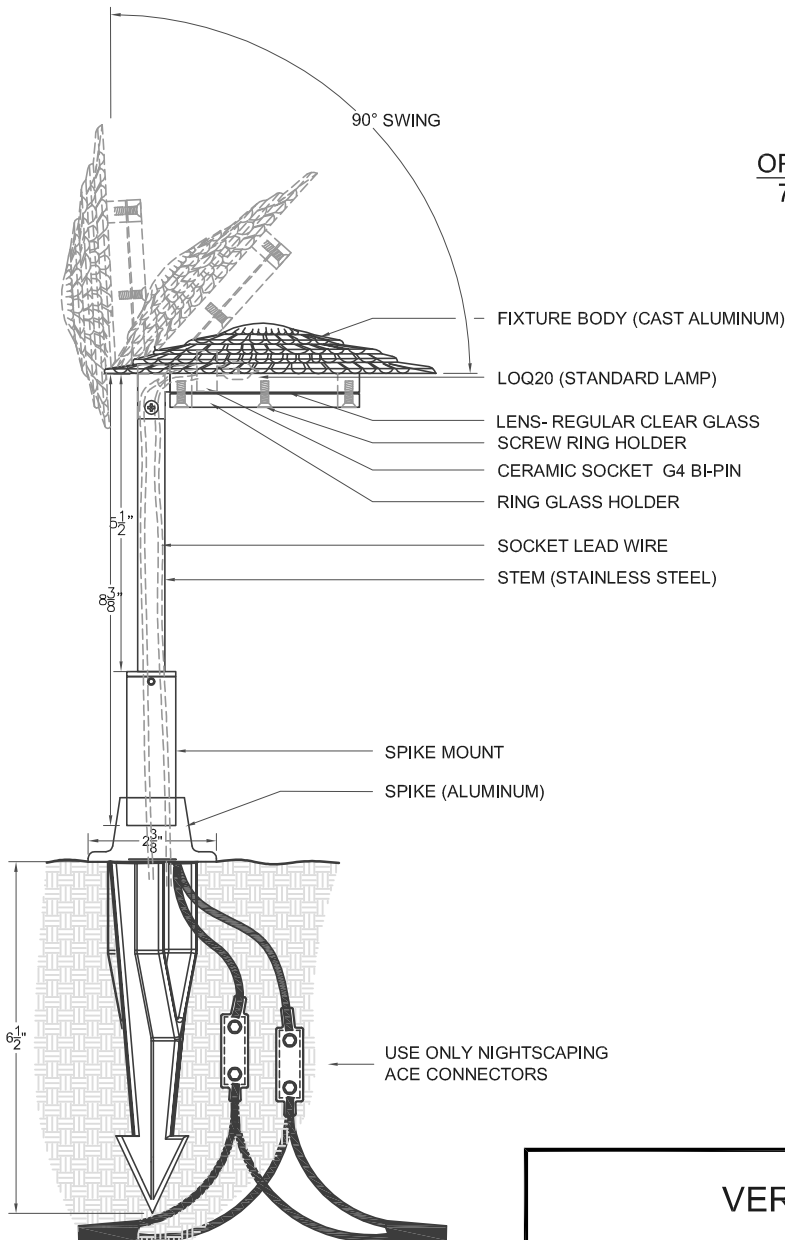
CLEAR TEMPERED GLASS

**MOUNTING:**

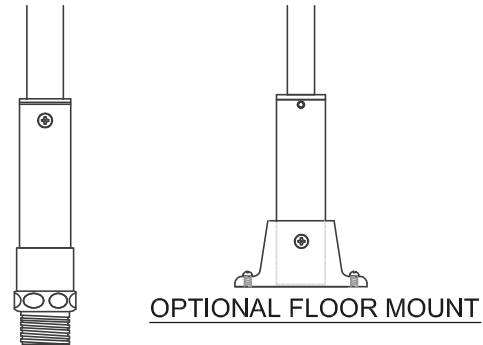
ALUMINUM SPIKE MOUNT

**LAMP REPLACEMENT:**

REMOVE FOUR PHILLIPS SCREWS FROM LENS/RING  
REMOVE LENS/RING FROM FIXTURE BODY  
PULL OUT OLD LAMP, REPLACE WITH NEW

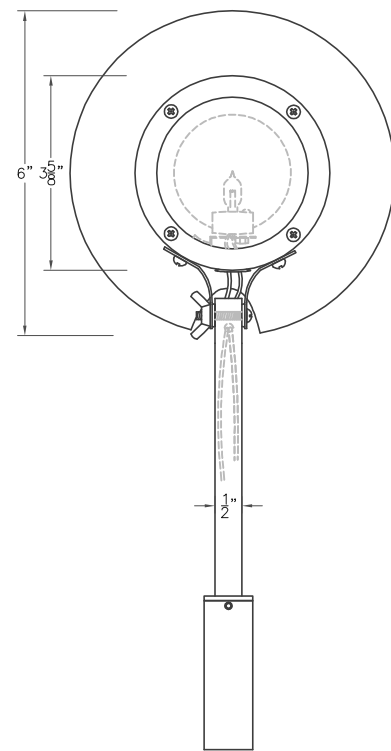


**SIDE VIEW (HIDDEN)  
WITH ROTATION**



**OPTIONAL FLOOR MOUNT**

**OPTIONAL CONDUIT MOUNT  
7/8" MALE PIPE THREADS**



**FRONT VIEW WITH TOP OF FIXTURE  
IN VERTICAL POSITION**

VERSALITER\_I GU-0965

*Nightscaping*<sup>®</sup>

SIZE  
**A**

DRAWN BY  
LUIS ENRIQUEZ

CLASSIFICATION  
BACKLIGHTING

DATE  
SEPTEMBER 1, 2006