

SOCKET:

CERAMIC G6.35 BI-PIN

MOUNTING:

WALL MOUNT (STANDARD)

MATERIALS:

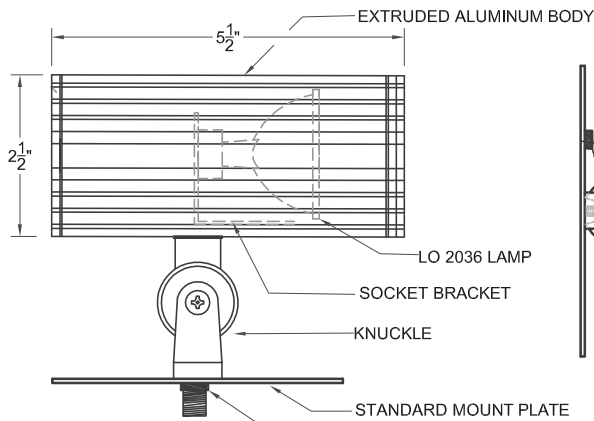
EXTRUDED ALUMINUM
MOUNT PLATE: PHOSPHATIZED STEEL

LAMP:

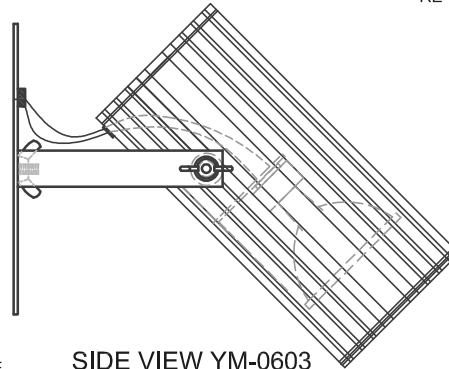
LO 2036 (STANDARD), MR-16
20 WATTS / 36° BEAM SPREAD

LAMP REPLACEMENT:

REMOVE UPPER 2 SCREWS FROM
FRONT LENS PLATE AND REAR COVER
PLATE. SEPARATE UPPER BODY
HALF FROM LOWER BODY HALF. REMOVE
OLD LAMP - REPLACE WITH NEW LAMP.
PUT BODY HALVES BACK TOGETHER &
RE-INSERT SCREWS.



**SIDE VIEW AW-0603
(STANDARD)**



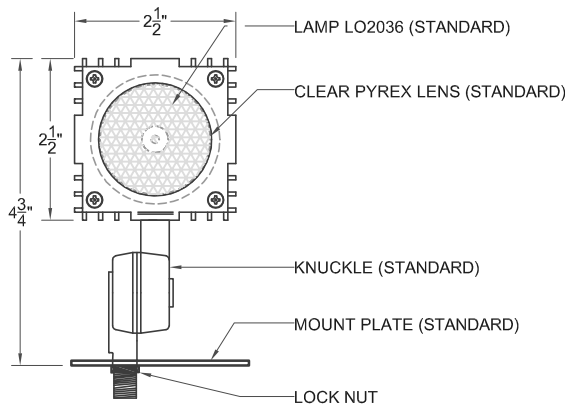
**SIDE VIEW YM-0603
(YOKE MOUNT OPTIONAL)**

FINISH:

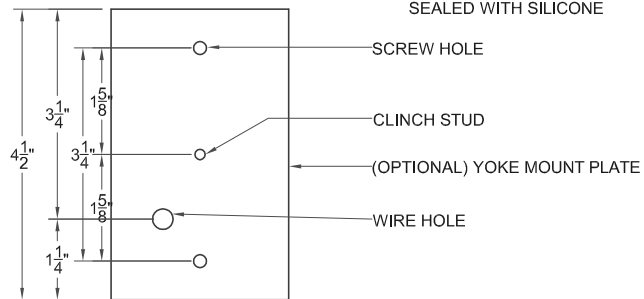
- AW-0603
- 1 (BLACK),
- 7 (WEATHERED IRON)
(STANDARD POLYESTER
POWDER COAT)
- AW-0603
- 2 (NATIVE GREEN),
- 3 (TAN),
- 4 (BRONZE),
- 8 (SANDSTONE),
- 9 (EARTHSTONE),
- W (WHITE),
- AV (ANTIQUE VERDE),
- VP (VERDE POWDER)
(OPTIONAL POLYESTER POWDER
COAT: ADDITIONAL CHARGE)

LENS:

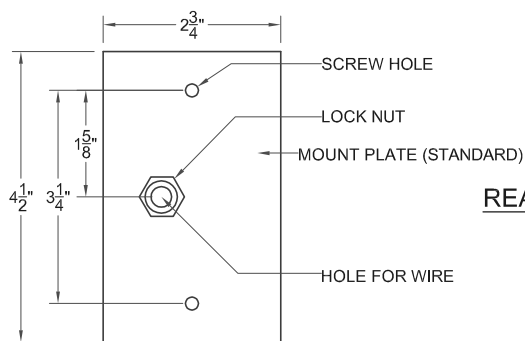
CLEAR PYREX LENS (STANDARD)
SEALED WITH SILICONE



**FRONT VIEW
STANDARD**

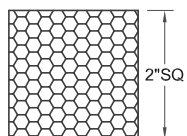
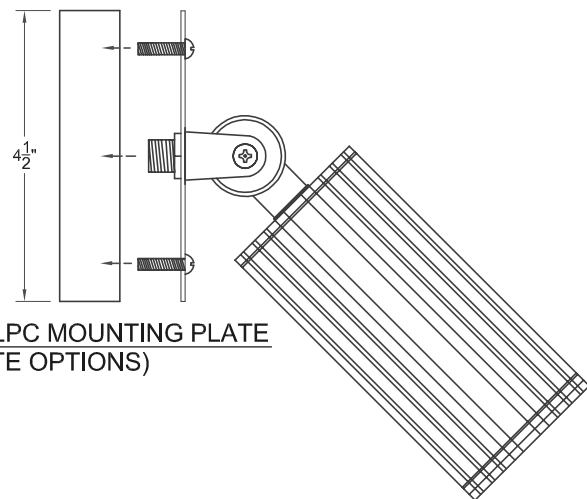


**BACK VIEW YOKE MOUNT
(OPTIONAL)**

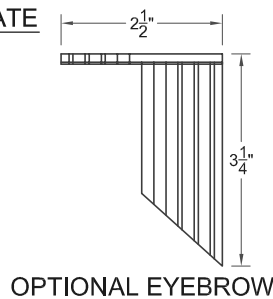


**BACK MOUNTING PLATE
STANDARD**

**REAR MOUNT WITH LPC MOUNTING PLATE
(SEPARATE OPTIONS)**



OPTIONAL LOUVER



OPTIONAL EYEBROW

STYLIST AW-0603

Nightscaping

SIZE A	DRAWN BY LUIS ENRIQUEZ	CLASSIFICATION DOWNLIGHTING	DATE OCTOBER 12, 2007
------------------	---------------------------	--------------------------------	--------------------------