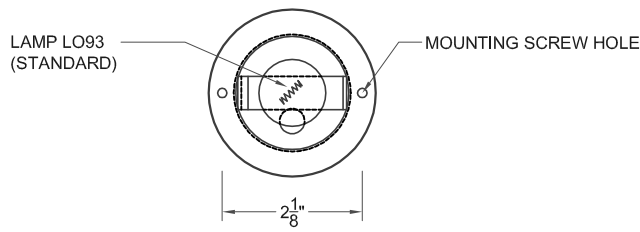
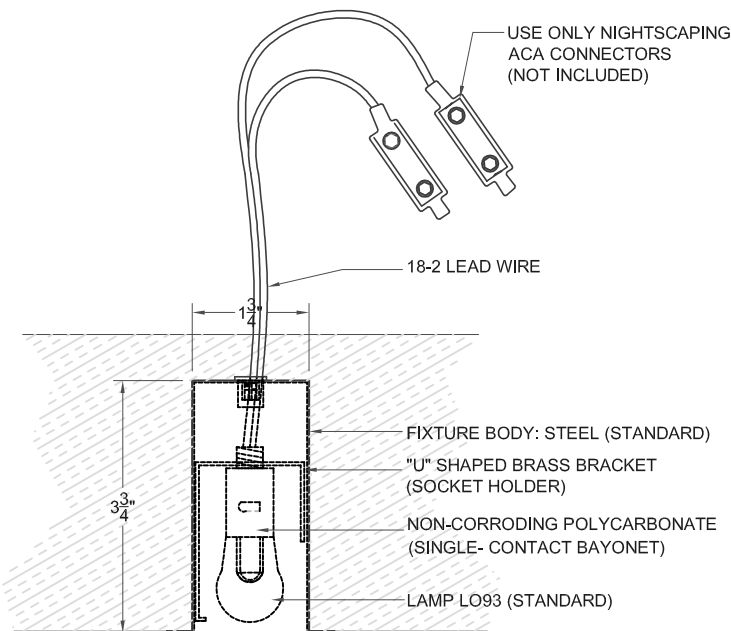


**OPTIONAL SHIELD**



**FRONT VIEW**



**SIDE VIEW (HIDDEN)**

**MATERIALS:**

BODY: PHOSPHATIZED STEEL  
(ALSO AVAILABLE IN COPPER)

**LAMP:**

LO93 (STANDARD)  
12.3 WATTS, SINGLE CONTACT BAYONET

**FINISH:**

- RD-0404 -1 (BLACK), -7 (WEATHERED IRON), (STANDARD POLYESTER POWDER COAT)
- RD-0404 -2 (NATIVE GREEN), -3 (TAN), -4 (BRONZE), -8 (SANDSTONE), -9 (EARTHTONE), -W (WHITE), -AV (ANTIQUA VERDE), -VP (VERDE POWDER) (OPTIONAL POLYESTER POWDER COAT: ADDITIONAL CHARGE)
- RD-0404CU NATURAL COPPER
- RD-0404CU-V COPPER VERDE (ADDITIONAL CHARGE)

**SOCKET:**

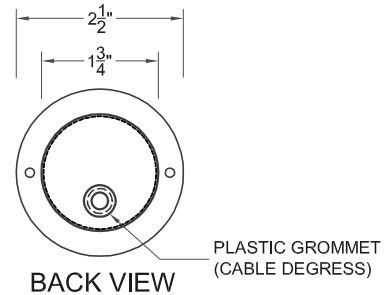
NON-CORRODING POLYCARBONATE  
(SINGLE-CONTACT BAYONET)

**MOUNTING:**

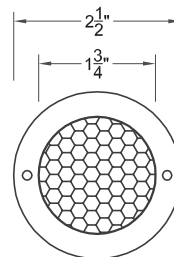
RECESS MOUNTING (STANDARD)

**LAMP REPLACEMENT:**

PULL BRACKET OUT FROM BODY  
HOLD BRACKET & SOCKET FIRMLY  
PUSH IN OLD LAMP, TURN COUNTER-CLOCKWISE  
PULL OUT, PUSH IN NEW LAMP AND TURN CLOCKWISE  
REPLACE BRACKET IN FIXTURE BODY



**BACK VIEW**



**RING & HONEYCOMB LOUVRE (OPTIONAL)**

**SOFFITLITER RD-0404**

*Nightscaping*<sup>®</sup>

SIZE <b>A</b>	DRAWN BY GRANT CLEAVELAND	CLASSIFICATION DOWNLIGHTING	DATE OCTOBER 12, 2007
------------------	------------------------------	--------------------------------	--------------------------