

MATERIALS:

BODY-STEM: COPPER
YOKE MOUNT: BRASS

LAMP:

LOQ10
10 WATTS / BI-PIN
QUARTZ HALOGEN

LAMP REPLACEMENT:

SLIDE GLASS LENS AND REMOVE
PULL OUT OLD LAMP
REPLACE WITH NEW LAMP
SLIDE GLASS LENS BACK INTO PLACE
DO NOT TOUCH LAMP WITH BARE HANDS

LENS:

SPREAD LENS WITH BLACK BORDER

SOCKET:

CERAMIC G4 BI-PIN

MOUNTING:

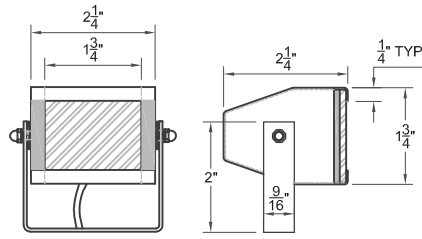
BRASS SPIKE MOUNT (STANDARD)

FINISH:

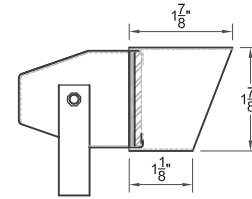
GU-4457CU

NATURAL COPPER

-1 (BLACK), -7 (WEATHERED IRON),
-3 (TAN), -4 (BRONZE), -5 (MOSS),
-8 (SANDSTONE), -9 (EARTHTONE), -W (WHITE),
(OPTIONAL POLYESTER POWDER COAT:
ADDITIONAL CHARGE)

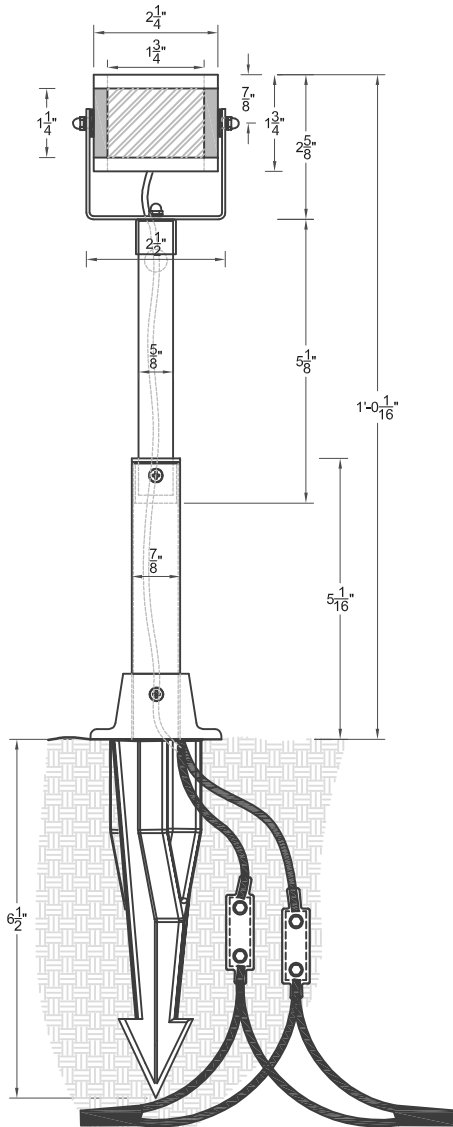
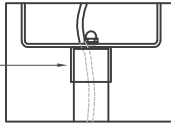


OPTIONAL YOKEMOUNT

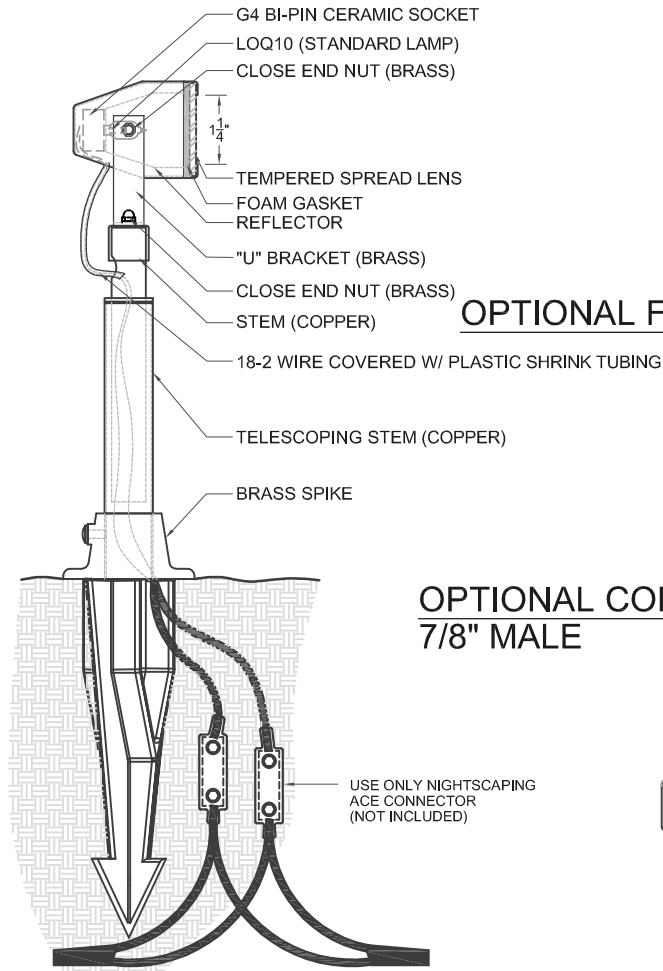


**SIDE VIEW
OPTIONAL EYE BROW**

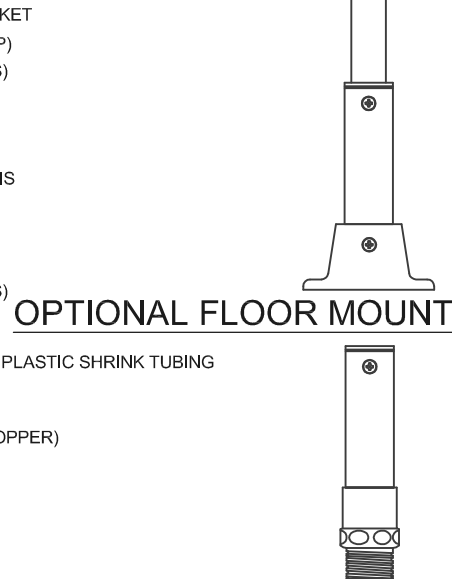
CONNECTION BETWEEN
STEM AND YOKE



FRONT VIEW (STANDARD)

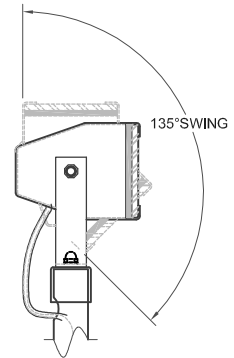


SIDE VIEW (STANDARD)



OPTIONAL FLOOR MOUNT

**OPTIONAL CONDUIT MOUNT
7/8" MALE**



**SIDE VIEW
ROTATION**

MINI-WASH GU-4457CU

Nightscaping

SIZE
A

DRAWING BY
HECTOR CARRILLO

CLASSIFICATION
UPLIGHTING

DATE
DECEMBER 07, 2006