

SIDE VIEW (HIDDEN)

**MATERIALS:**

BELL: CAST ALUMINUM  
STEM: PHOSPHATIZED STEEL

**LAMP:**

2-LO912 (STANDARD)  
11.8 WATTS x 2 = 23.6, WEDGE BASE

**FINISH:**

GD-1855  
-1 (BLACK),  
-7 (WEATHERED IRON)  
(STANDARD POLYESTER POWDER COAT)  
  
GD-1855  
-2 (NATIVE GREEN)  
-3 (TAN)  
-4 (BRONZE)  
-8 (SANDSTONE)  
-9 (EARTHTONE)  
-W (WHITE)  
-AV (ANTIQUE VERDE)  
-VP (VERDE POWDER)  
(OPTIONAL POLYESTER POWDER COAT: ADDITIONAL CHARGE)

**SOCKET:**

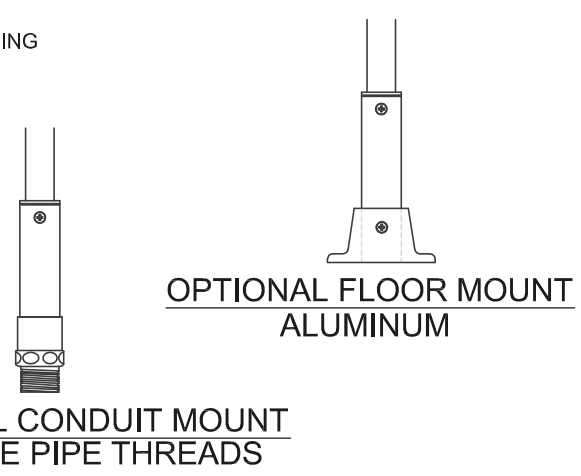
NON-CORRODING NORYL  
(WEDGE BASE)

**MOUNTING:**

ALUMINUM SPIKE MOUNT (STANDARD)

**LAMP REPLACEMENT:**

PULL OUT OLD LAMPS, REPLACE WITH NEW



<b>MCKAYLITER GD-1855</b>			
<i>Nightscaping</i> <sup>®</sup>			
SIZE <b>A</b>	DRAWN BY LUIS ENRIQUEZ	CLASSIFICATION PATHLIGHTING	DATE SEPTEMBER 1, 2006