

MAXISPOTTER SHIELD 0602-S-CU
OPTIONAL

MATERIALS

BODY: COPPER
YOKE AND PLATE: BRASS
(ALSO AVAILABLE IN STAINLESS STEEL)

LAMP

LO2036 MR-16 HALOGEN (STANDARD)
20 WATTS / 36° BEAM SPREAD

FINISH:

WM-0502CU: NATURAL COPPER

WM-0502CU-V: COPPER VERDE (ADDITIONAL CHARGE)

WM-0502CU: -1 (BLACK), -7 (WEATHERED IRON)
-2 (NATIVE GREEN), -3 (TAN), -4 (BRONZE),
-8 (SANDSTONE), -9 (EARTHTONE), -W (WHITE),
-AV (ANTIQUÉ VERDE), -VP (VERDE POWDER)
(OPTIONAL POLYESTER POWDER COAT:
ADDITIONAL CHARGE)

LENS:

CLEAR PYREX LENS
SEALED WITH SILICONE

SOCKET:

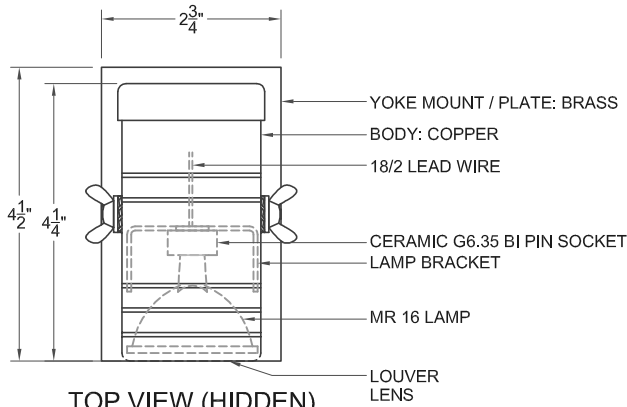
CERAMIC G6.35 Bi-Pin

MOUNTING:

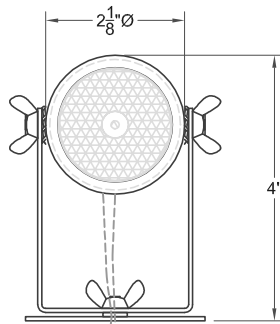
YOKE AND PLATE MOUNT

LAMP REPLACEMENT:

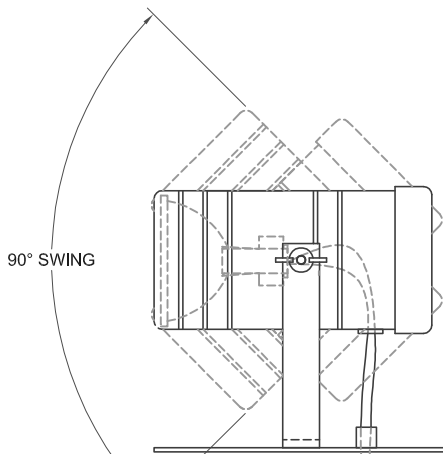
TWIST AND REMOVE BACK CAP FROM
FIXTURE BODY LIKE OPENING A LID OF A JAR,
PULL OUT OLD LAMP, PUSH IN NEW LAMP
CLOSE CAP BACK IN PLACE



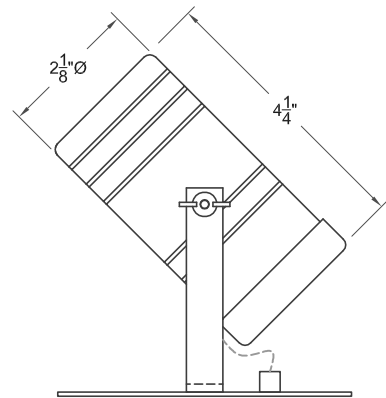
TOP VIEW (HIDDEN)



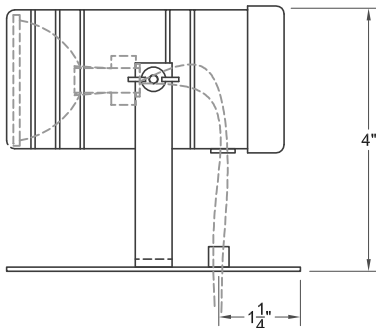
FRONT VIEW



SIDE VIEW (HIDDEN)



SIDE VIEW



SIDE VIEW (HIDDEN)



OPTIONAL LOUVRE (STEEL)

MAXISPOTTER WM-0502CU



SIZE A	DRAWN BY LUIS ENRIQUEZ	CLASSIFICATION DOWNLIGHTING	DATE JULY 11, 2008
------------------	---------------------------	--------------------------------	-----------------------