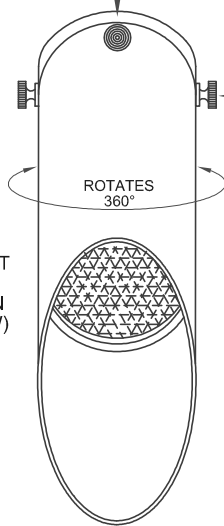
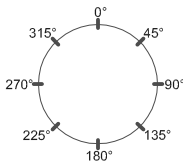
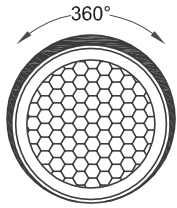


KNURLED-HEAD THUMB SCREWS (3)

THIRD SCREW



**ADJUSTABLE EYEBROW**

KNUCKLE REMAINS IN VERTICAL ALIGNMENT  
 EYEBROW ADJUSTABLE EVERY 45°  
 (YOU MUST REMOVE ALL THREE SCREWS IN  
 ORDER TO ADJUST ROTATION OF EYEBROW)

**MATERIALS**

BODY: COPPER  
 MOUNTING BRACKET/KNUCKLE: BRASS

**FINISH:**

- WM-0207CU NATURAL COPPER
- WM-0207CU-V COPPER VERDE (ADDITIONAL CHARGE)
- WM-0207CU -1 (BLACK), -7 (WEATHERED IRON)
- 2 (NATIVE GREEN), -3 (TAN), -4 (BRONZE),
- 8 (SANDSTONE), -9 (EARTHTONE), -W (WHITE),
- AV (ANTIQUÉ VERDE), -VP (VERDE POWDER)
- (OPTIONAL POLYESTER POWDER COAT:  
 ADDITIONAL CHARGE)

**LAMP**

LO2036 (STANDARD)  
 20 WATTS / 36° BEAM, MR-16 HALOGEN

**EYEBROW:**

3.5" IN LENGTH, 8 POSITIONS OF ADJUSTABILITY

**LENS:**

CLEAR PYREX LENS SEALED WITH SILICONE  
 LOUVER (STANDARD)

**SOCKET:**

CERAMIC G6.35 BI-PIN WITH CLIPS

**MOUNTING:**

3/4" MALE SCREW FITTING WITH MOUNTING BRACKET  
 (MOUNTING SCREWS NOT INCLUDED)

**LAMP REPLACEMENT:**

FULLY REMOVE THIRD SCREW,  
 LOOSEN 2 SCREWS ON SIDE OF FIXTURE  
 WITHOUT REMOVING, TWIST FIXTURE TOP, PULL,  
 REMOVE OLD LAMP, REPLACE WITH NEW

**LEAD WIRE:**

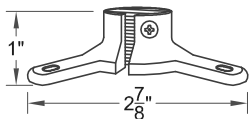
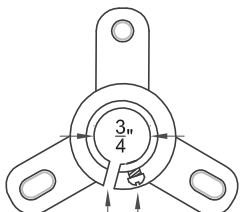
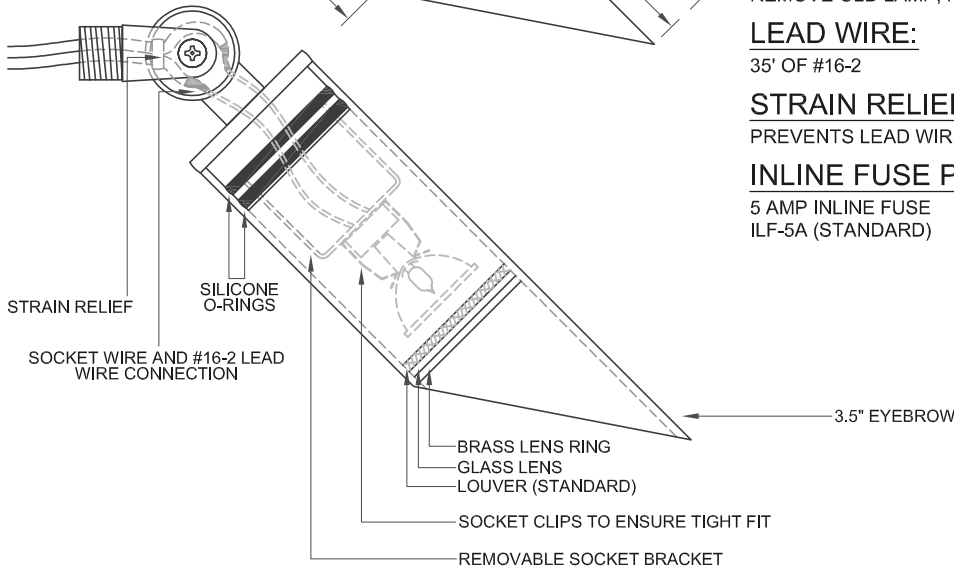
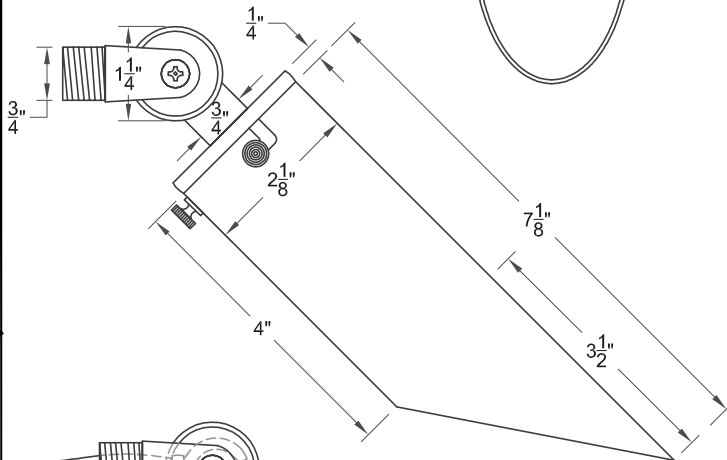
35' OF #16-2

**STRAIN RELIEF:**

PREVENTS LEAD WIRE FROM PULLING ON SOCKET WIRE

**INLINE FUSE PROTECTOR:**

5 AMP INLINE FUSE  
 ILF-5A (STANDARD)



**BRASS MOUNTING BRACKET**  
 SECURE AIMING SCREW  
 WIRE REMOVAL SLOT

JEM-Liter WM-0207CU



SIZE <b>A</b>	DRAWN BY REBEKAH PAULLUS	CLASSIFICATION DOWNLIGHTING	DATE MARCH 31, 2008
------------------	-----------------------------	--------------------------------	------------------------