

MATERIALS

TOP / STEM: COPPER AND BRASS
 KNUCKLE: BRASS

LAMP

LO82023C (STANDARD)
 20 WATTS / 23° BEAM, MR 8 HALOGEN

FINISH:

GU-1901CU: NATURAL COPPER

GU-1901CU-V: COPPER VERDE (ADDITIONAL CHARGE)

GU-1901CU: -1 (BLACK), -7 (WEATHERED IRON),
 -2 (NATIVE GREEN), -3 (TAN), -4 (BRONZE),
 -8 (SANDSTONE), -9 (EARTHTONE), -W (WHITE),
 -AV (ANTIQUÉ VERDE), -VP (VERDE POWDER)
 (OPTIONAL POLYESTER POWDER COAT:
 ADDITIONAL CHARGE)

LENS:

NONE (OPTIONAL: TEMPERED GLASS)

SOCKET:

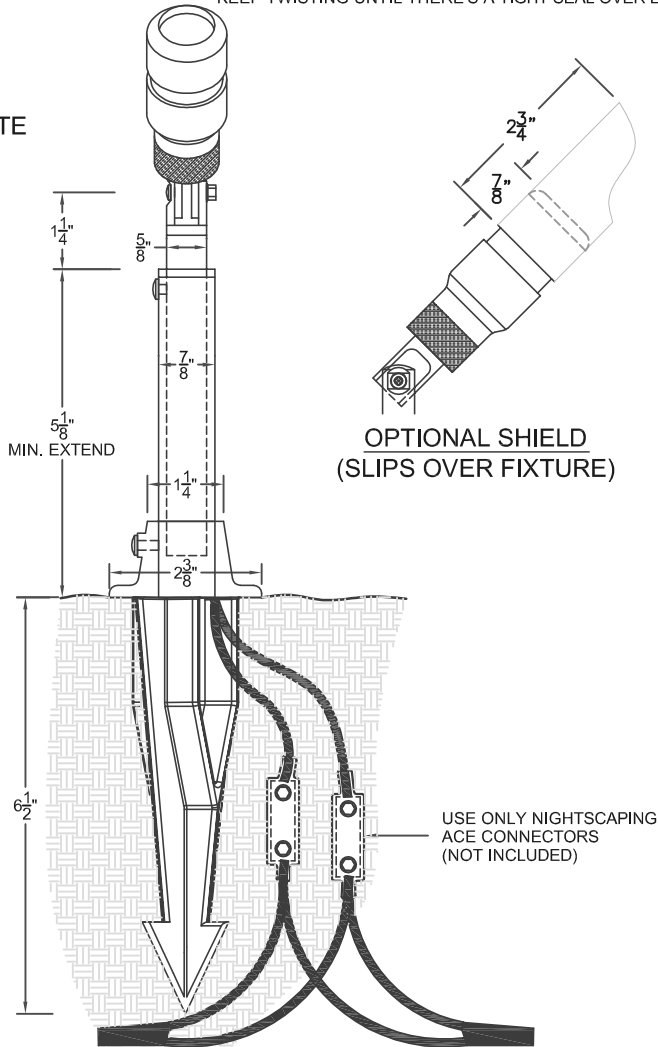
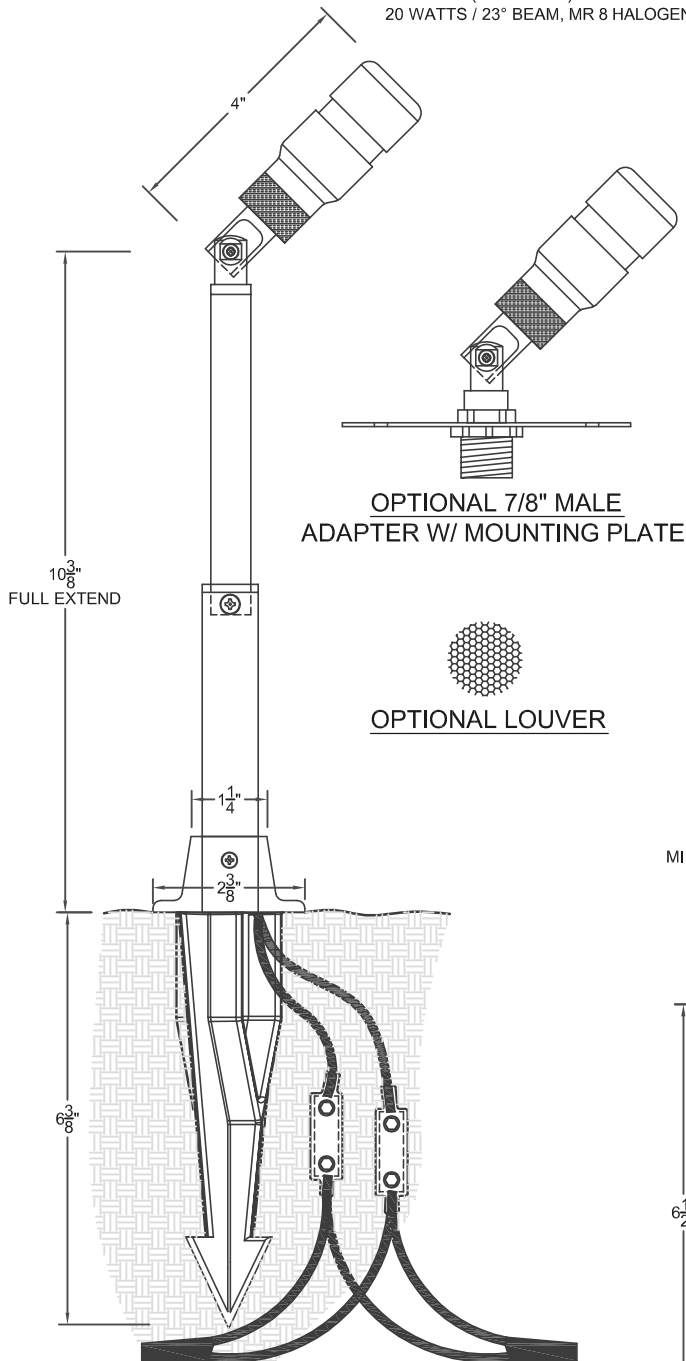
CERAMIC G6.35 MR-16/G4 BI-PIN

MOUNTING:

7.5" BRASS SPIKE (STANDARD)

LAMP REPLACEMENT:

TWIST OFF TOP PIECE OF FIXTURE, LIKE OPENING THE LID OF A JAR
 TWIST REMAINING FIXTURE CLOCKWISE TILL LAMP IS EXPOSED
 PULL OUT OLD LAMP, REPLACE WITH NEW
 TWIST FIXTURE COUNTER-CLOCKWISE, REPLACE TOP PIECE AND GASKET,
 KEEP TWISTING UNTIL THERE'S A TIGHT SEAL OVER LAMP



JAYLITER GU-1901CU

Nightscaping[®]

OPTIONAL FLOOR MOUNT
 ALUMINUM

OPTIONAL CONDUIT MOUNT
 7/8" MALE PIPE THREADS

SIZE
A

DRAWN BY
 LUIS ENRIQUEZ

CLASSIFICATION
 UPLIGHTING

DATE
 NOVEMBER 1, 2007