

**SIDE VIEW
STANDARD SPIKE MOUNT**

MATERIALS:

TOP / STEM: STAINLESS STEEL
(ALSO AVAILABLE IN COPPER)

LAMP:

L093 SINGLE CONTACT BAYONET
12.3 WATTS / INCANDESCENT

FINISH:

- GD-1409 -1 (BLACK), -7 (WEATHERED IRON),
(STANDARD POLYESTER POWDER COAT)
- GD-1409 -2 (NATIVE GREEN), -3 (TAN), -4 (BRONZE),
-8 (SANDSTONE), -9 (EARTHTONE), -W (WHITE),
-AV (ANTIQUÉ VERDE), -VP (VERDE POWDER)
(OPTIONAL POLYESTER POWDER COAT:
ADDITIONAL CHARGE)
- GD-1409CU NATURAL COPPER
- GD-1409CU-V COPPER VERDE (ADDITIONAL CHARGE)

SOCKET:

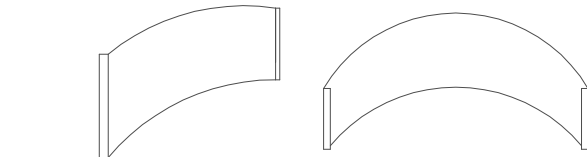
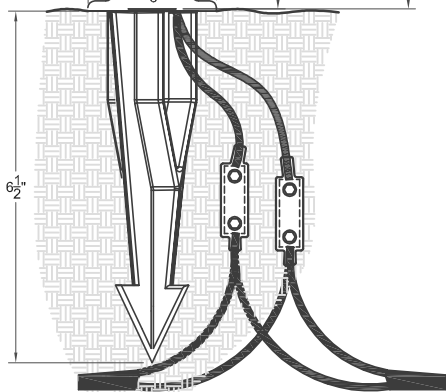
NON-CORRODING POLYCARBONATE
SINGLE CONTACT BAYONET

MOUNTING:

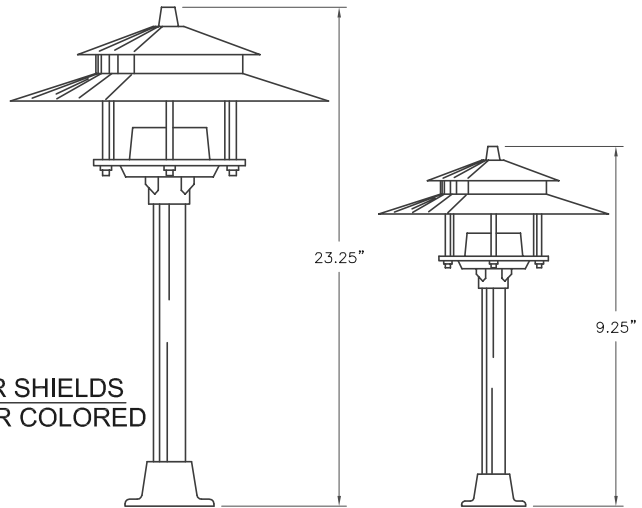
SPIKE MOUNT (STANDARD), OTHER OPTIONS AVAILABLE

LAMP REPLACEMENT:

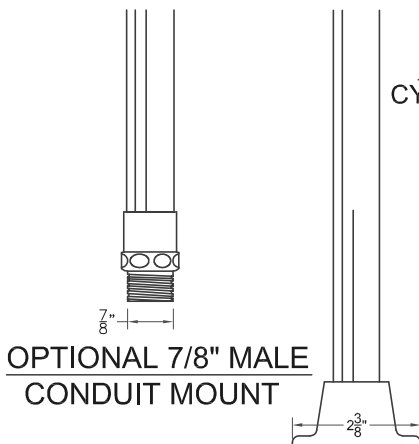
LOOSEN SCREW THAT HOLDS FIXTURE ON TOP OF STEM
REMOVE FIXTURE TOP FROM STEM
PUSH DOWN ON BULB WHILE TURNING COUNTER-CLOCKWISE
PLACE NEW BULB IN SOCKET, PUSH DOWN WHILE TURNING CLOCKWISE



OPTIONAL LIGHT SHIELDS @ 90°, 180°, 270°



AVAILABLE AT 23.2" AVAILABLE AT 9.2"



**OPTIONAL 7/8" MALE
CONDUIT MOUNT**

**OPTIONAL FLOOR MOUNT
(BRASS OR ALUMINUM)**

FOOTLITER GD-1409



SIZE A	DRAWN BY REBEKAH PAULLUS	CLASSIFICATION PATHLIGHTING	DATE SEPTEMBER 1, 2006
------------------	-----------------------------	--------------------------------	---------------------------