

MATERIALS

EXTRUDED ALUMINUM

LAMP

LO2036 (STANDARD)
20 WATTS / 36° BEAM

FINISH:

AD-0603 -1 (BLACK), -7 (WEATHERED IRON),
(STANDARD POLYESTER POWDER COAT)

AD-0603 -2 (NATIVE GREEN), -3 (TAN), -4 (BRONZE),
-8 (SANDSTONE), -9 (EARTHTONE), -W (WHITE),
-AV (ANTIQUER VERDE), -VP (VERDE POWDER)
(OPTIONAL POLYESTER POWDER COAT:
ADDITIONAL CHARGE)

LENS:

CLEAR PYREX LENS (STANDARD)

SOCKET:

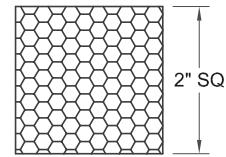
CERAMIC G6.35 Bi-Pin

MOUNTING:

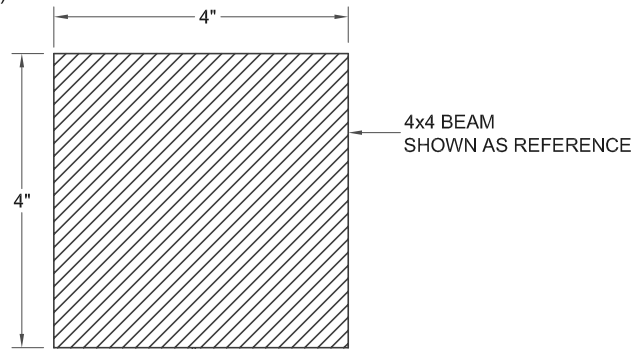
HANGING FINIAL (STANDARD)

LAMP REPLACEMENT:

REMOVE THREE SCREWS ON FRONT OF FIXTURE
ROTATE LENS TO ACCESS INSIDE OF FIXTURE
PULL OUT BRACKET AND LAMP
PULL OUT OLD LAMP, REPLACE WITH NEW
REPLACE LENS AND SCREWS



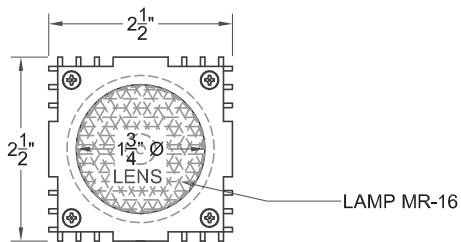
**OPTIONAL LOUVER
REDUCES GLARE**



4x4 BEAM
SHOWN AS REFERENCE

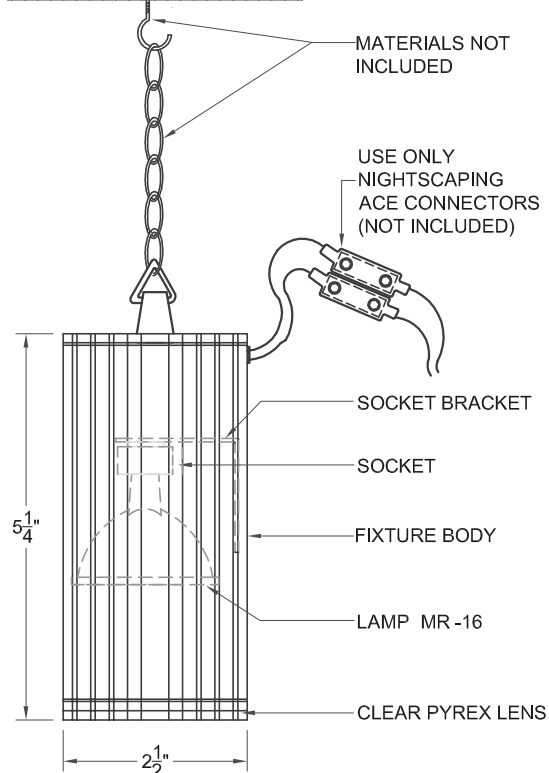
MATERIALS NOT INCLUDED

USE ONLY
NIGHTSCAPING
ACE CONNECTORS
(NOT INCLUDED)



LAMP MR-16

**BOTTOM VIEW
SHOWN WITH OPTIONAL LOUVRE**



SOCKET BRACKET

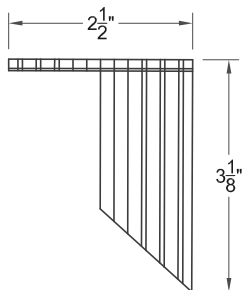
SOCKET

FIXTURE BODY

LAMP MR-16

CLEAR PYREX LENS

SIDE VIEW (HIDDEN)



**OPTIONAL EYEBROW
FOR EXTRA LIGHT SHIELDING**

ESCORT AD-0603



SIZE	DRAWN BY	CLASSIFICATION	DATE
A	LUIS ENRIQUEZ	DOWNLIGHTING	SEPTEMBER 1, 2006