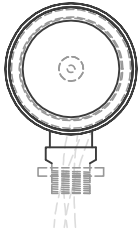
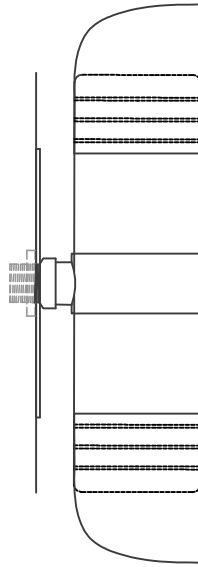


**CLAYLITER SHIELD 0602-S-CU  
(OPTIONAL)**



**WITHOUT MOUNTING PLATE  
(OPTIONAL)**



**MATERIALS**

BODY: COPPER  
MOUNT PLATE: BRASS

**LAMP**

LO 2036 (STANDARD)  
20 Watts / 36° Beam

**FINISH:**

- UD-0702CU NATURAL COPPER
- UD-0702CU-V COPPER VERDE (ADDITIONAL CHARGE)
- UD-0702CU -1 (BLACK), -7 (WEATHERED IRON) (POLYESTER POWDER COAT)
- UD-0702CU -2 (NATIVE GREEN), -3 (TAN), -4 (BRONZE), -8 (SANDSTONE), -9 (EARTHTONE), -W (WHITE), -AV (ANTIQUER VERDE), -VP (VERDE POWDER) (OPTIONAL POLYESTER POWDER COAT: ADDITIONAL CHARGE)

**LENS:**

CLEAR PYREX LENS (STANDARD)  
SEALED WITH SILICONE

**SOCKET:**

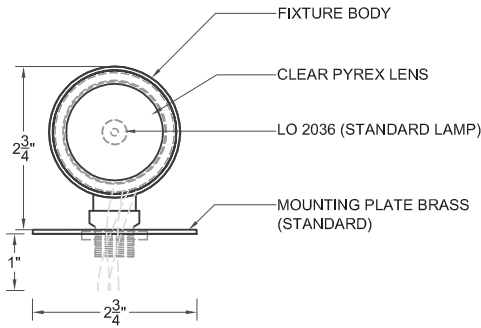
CERAMIC G6.35 BI-PIN

**MOUNTING:**

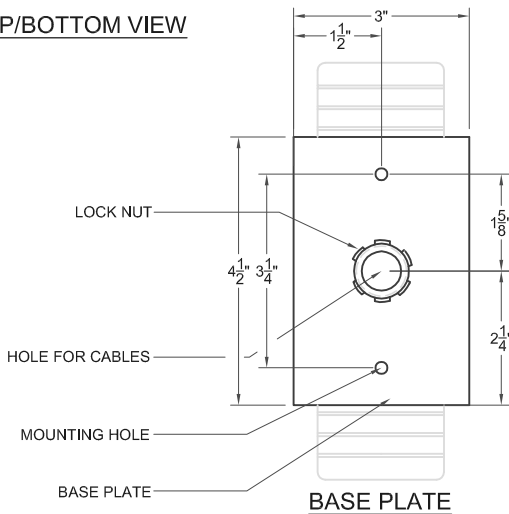
WALL MOUNT (STANDARD)

**LAMP REPLACEMENT:**

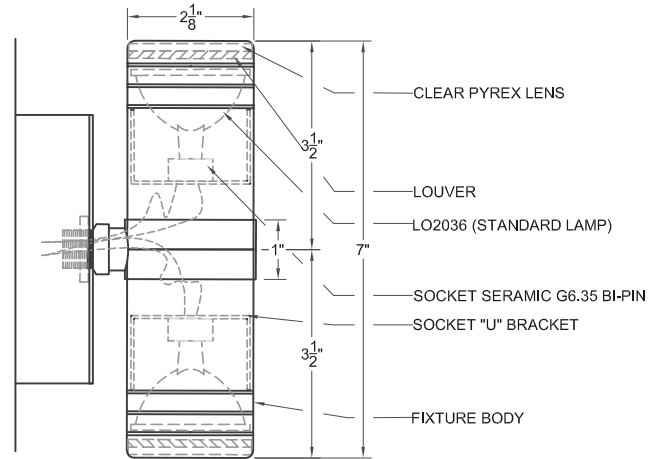
HOLDING EACH END OF THE FIXTURE, TWIST APART  
PULL OUT TO REPLACE EITHER LAMPS



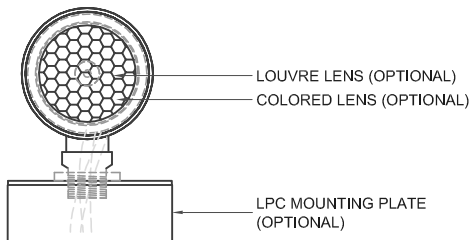
**TOP/BOTTOM VIEW**



**BASE PLATE**



**SIDE VIEW (HIDDEN)  
SHOWN WITH OPTIONAL LPC MOUNTING PLATE**



**MOUNTING AND LENS OPTIONS**

**DUALITER UD-0702CU**



|                  |                           |                                |                       |
|------------------|---------------------------|--------------------------------|-----------------------|
| SIZE<br><b>A</b> | DRAWN BY<br>LUIS ENRIQUEZ | CLASSIFICATION<br>DOWNLIGHTING | DATE<br>JULY 11, 2008 |
|------------------|---------------------------|--------------------------------|-----------------------|