

MATERIALS:

TOP / STEM: STAINLESS STEEL
(ALSO AVAILABLE IN COPPER)

LAMP:

LO93 (STANDARD)
12.3 WATTS, SINGLE CONTACT BAYONET, INCANDESCENT

FINISH:

- GD-2404 -1 (BLACK), -7 (WEATHERED IRON),
(STANDARD POLYESTER POWDER COAT)
- GD-2404 -2 (NATIVE GREEN), -3 (TAN), -4 (BRONZE),
-8 (SANDSTONE), -9 (EARTHTONE), -W (WHITE),
-AV (ANTIQUÉ VERDE), -VP (VERDE POWDER)
(OPTIONAL POLYESTER POWDER COAT:
ADDITIONAL CHARGE)
- GD-2404CU NATURAL COPPER (ADDITIONAL CHARGE)
- GD-2404CU-V COPPER VERDE (ADDITIONAL CHARGE)
- GD-2404SS STAINLESS STEEL

SOCKET:

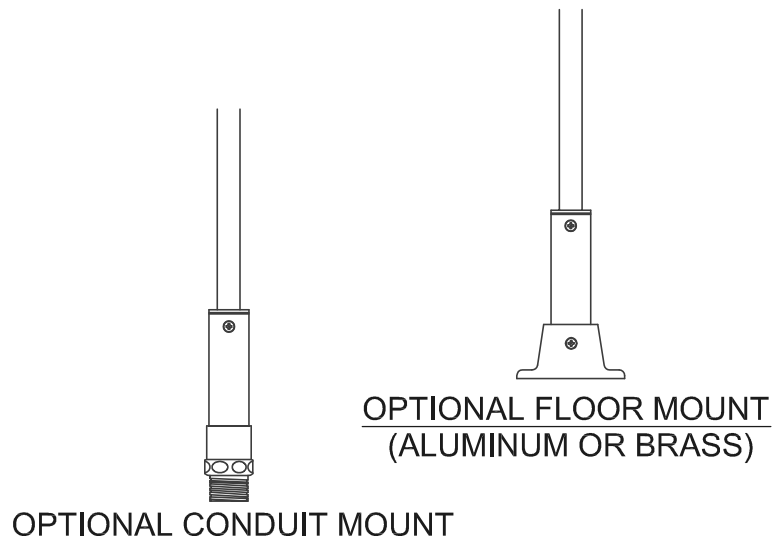
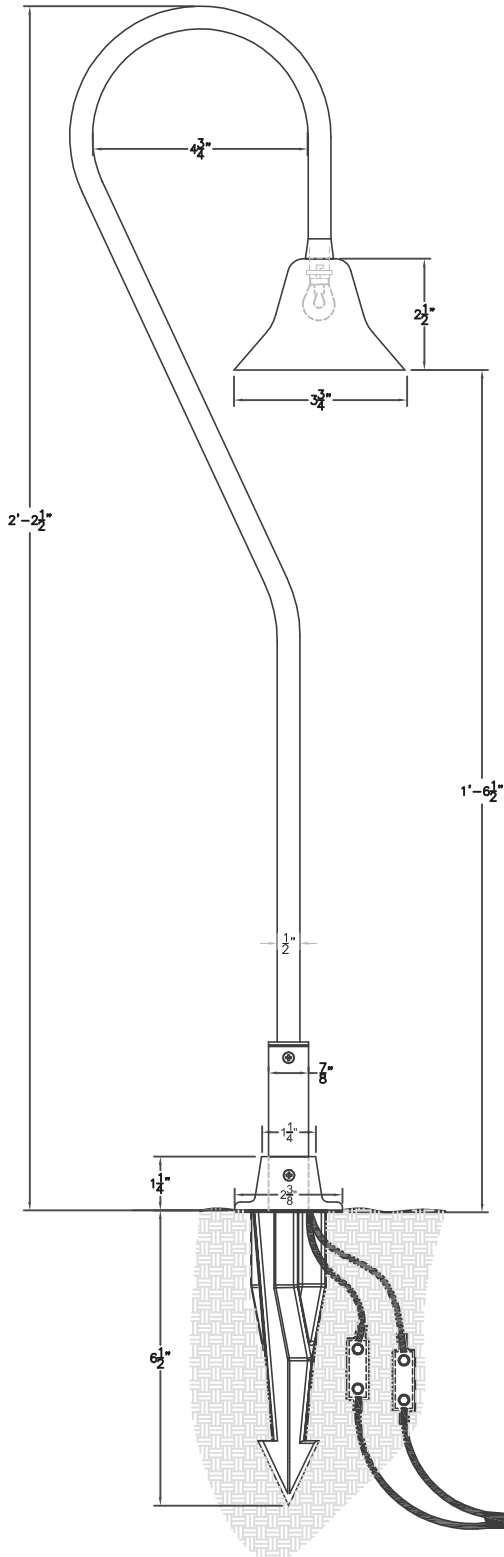
NON-CORRODING POLYCARBONATE
SINGLE CONTACT BAYONET

MOUNTING:

SPIKE MOUNT (STANDARD)

LAMP REPLACEMENT:

PUSH IN OLD LAMP
TURN COUNTER-CLOCKWISE, PULL OUT
PUSH IN NEW LAMP
TURN CLOCKWISE



DELITER GD-2404

Nightscaping[®]

SIZE
A

DRAWN BY
THOMAS MEIS

CLASSIFICATION
PATHLIGHTING

DATE
SEPTEMBER 1, 2006