

**MATERIALS:**

BODY: COPPER

**LAMP:**

LO2036 MR-16 HALOGEN (STANDARD)  
20 WATTS/36° BEAM SPREAD

**FINISH:**

DB-0802CU  
NATURAL COPPER

DB-0802CU-V

COPPER VERDE  
(ADDITIONAL CHARGE)

DB-0802CU

-1 (BLACK)  
-7 (WEATHERED IRON)

-2 (NATIVE GREEN)

-3 (TAN)

-4 (BRONZE)

-8 (SANDSTONE)

-9 (EARTHTONE)

-W (WHITE)

-AV (ANTIQUÉ VERDE)

-VP (VERDE POWDER)

(OPTIONAL POLYESTER POWDER  
COAT: ADDITIONAL CHARGE)

**LENS:**

CLEAR PYREX LENS  
SEALED WITH SILICONE

**SOCKET:**

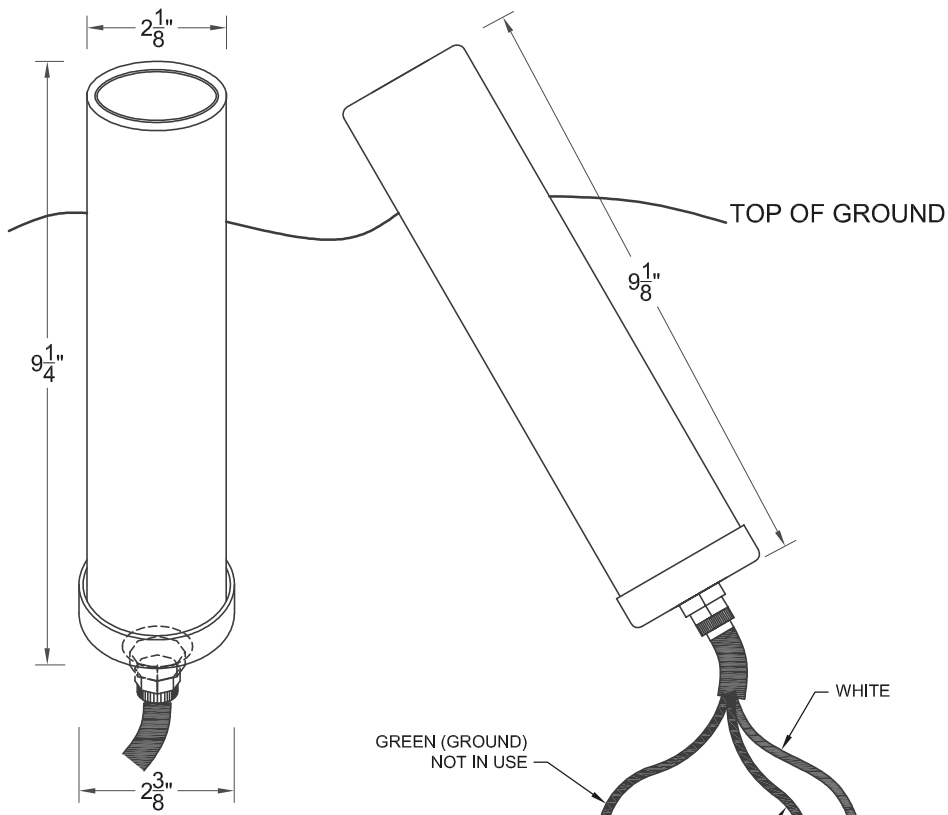
CERAMIC G6.35 Bi-Pin

**MOUNTING:**

DIRECT BURIAL (STANDARD)

**LAMP REPLACEMENT:**

PULL FIXTURE OUT OF THE GROUND  
IF CLOSED CLAYLITER, TWIST BOTTOM OFF  
PULL OUT SOCKET AND WIRE  
PULL OUT OLD LAMP, REPLACE WITH NEW  
PUSH FIXTURE BACK IN GROUND



GREEN (GROUND)  
NOT IN USE

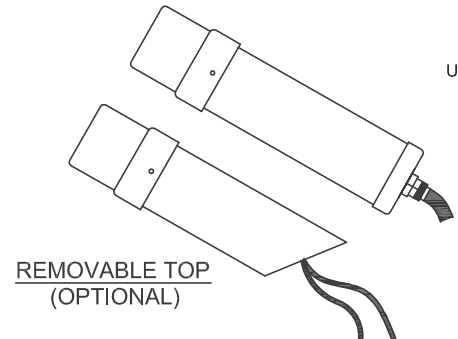
TOP OF GROUND

BLACK

WHITE

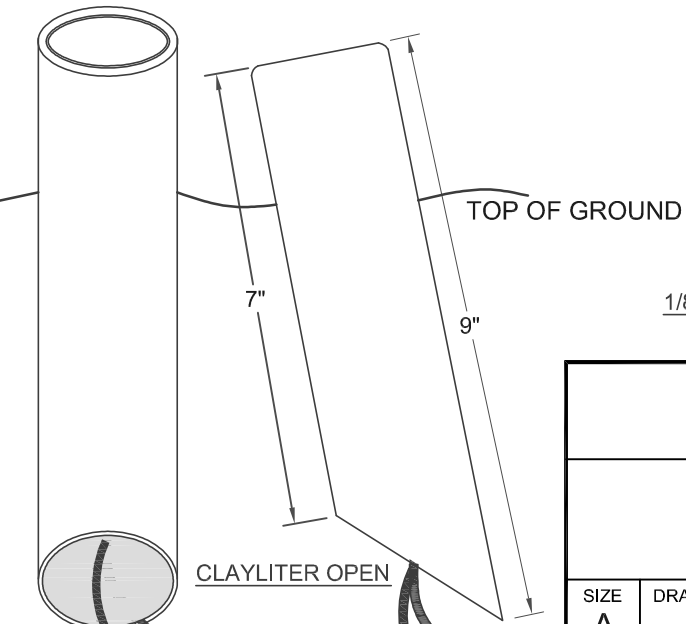
USE ONLY NIGHTSCAPING  
ACE CONNECTOR

CLAYLITER CLOSED



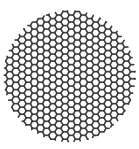
REMOVABLE TOP  
(OPTIONAL)

2 1/8"

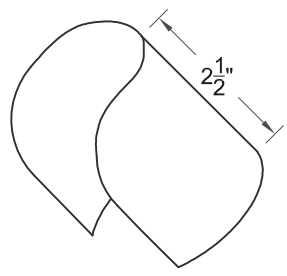


TOP OF GROUND

CLAYLITER OPEN



1/8" BLACK STEEL LOUVRE  
(OPTIONAL)



CLAYLITTER SHIELD 0602-S-CU  
(OPTIONAL)

CLAYLITER OPEN DB-0902  
CLAYLITER CLOSED DB-0802



SIZE A	DRAWN BY LUIS ENRIQUEZ	CLASSIFICATION UPLIGHTING	DATE JULY 11, 2008
-----------	---------------------------	------------------------------	-----------------------