

**SIDE VIEW OF ROTATION
(NOT TO SCALE)**

MATERIALS:

BODY/STEM/COVER: COPPER
KNUCKLE: BRASS

LENS:

CLEAR PYREX LENS
SEALED WITH SILICONE

LAMP:

LO2036 (STANDARD)
20 WATTS / 36° BEAM, MR-16 HALOGEN

SOCKET:

CERAMIC G6.35 Bi-Pin

MOUNTING:

BRASS SPIKE MOUNT

FINISH:

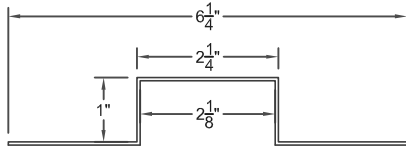
GU-0404CU: NATURAL COPPER

GU-0404CU-V: COPPER VERDE (ADDITIONAL CHARGE)

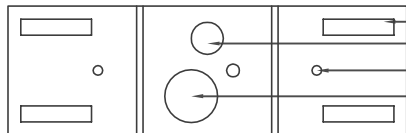
GU-0404CU: -1 (BLACK), -7 (WEATHERED IRON)
-2 (NATIVE GREEN), -3 (TAN), -4 (BRONZE),
-8 (SANDSTONE), -9 (EARTHTONE), -W (WHITE),
-AV (ANTIQUÉ VERDE), -VP (VERDE POWDER)
(OPTIONAL POLYESTER POWDER COAT:
ADDITIONAL CHARGE)

LAMP REPLACEMENT:

TWIST AND REMOVE BACK CAP FROM
FIXTURE BODY LIKE OPENING A LID OF A JAR,
PULL OUT OLD BULB, PUSH IN NEW BULB
CLOSE CAP BACK IN PLACE



**OPTIONAL TREE BRACKET
SIDE VIEW**

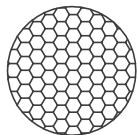


**OPTIONAL TREE BRACKET
TOP VIEW**

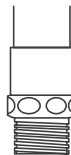
STRAP OPTION
WIRES
SCREW OPTION
FIXTURE



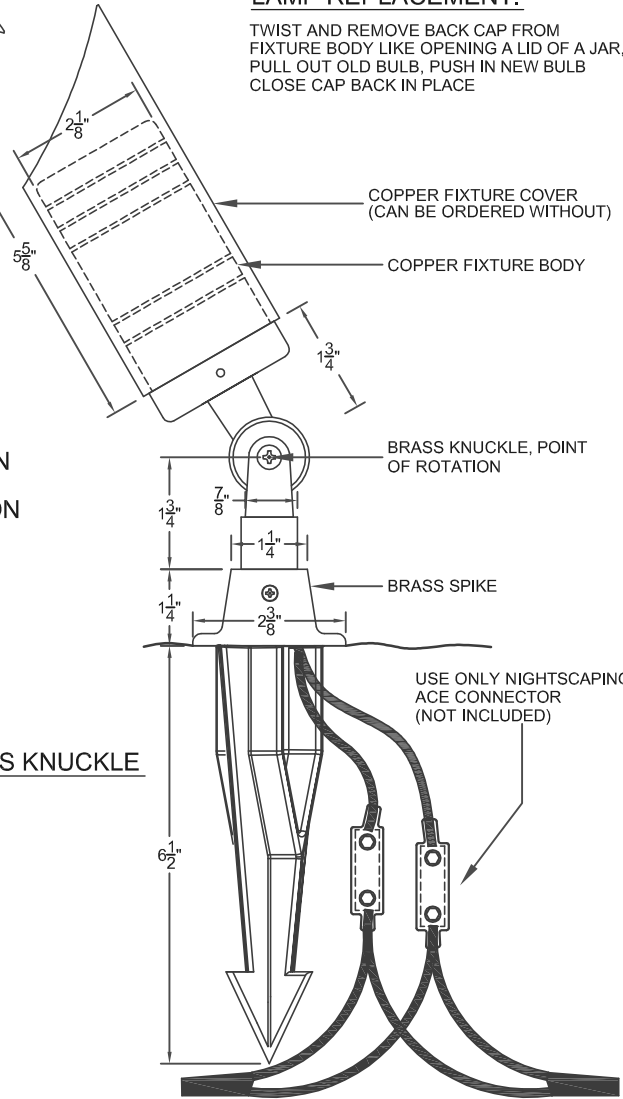
**1/2" THREAD ON BRASS KNUCKLE
OPTIONAL**



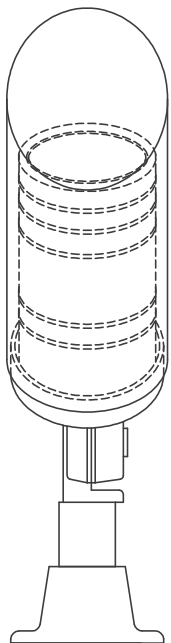
**OPTIONAL STEEL LOUVRE
1/8" THICK, BLACK**



OPTIONAL CONDUIT MOUNT



SIDE VIEW (STANDARD)



OPTIONAL FLOOR MOUNT

COVERLITER GU-0404CU



SIZE
A

DRAWN BY
REBEKAH PAULLUS

CLASSIFICATION
UPLIGHTING

DATE
OCTOBER 12, 2007