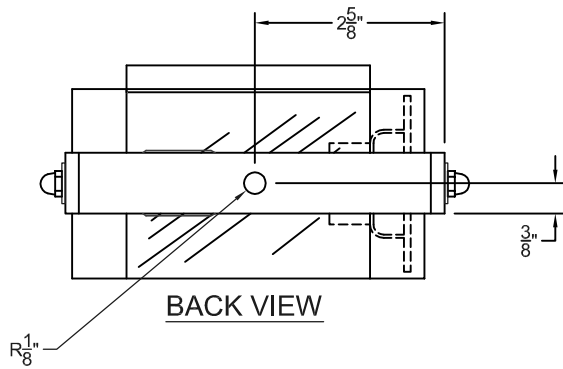
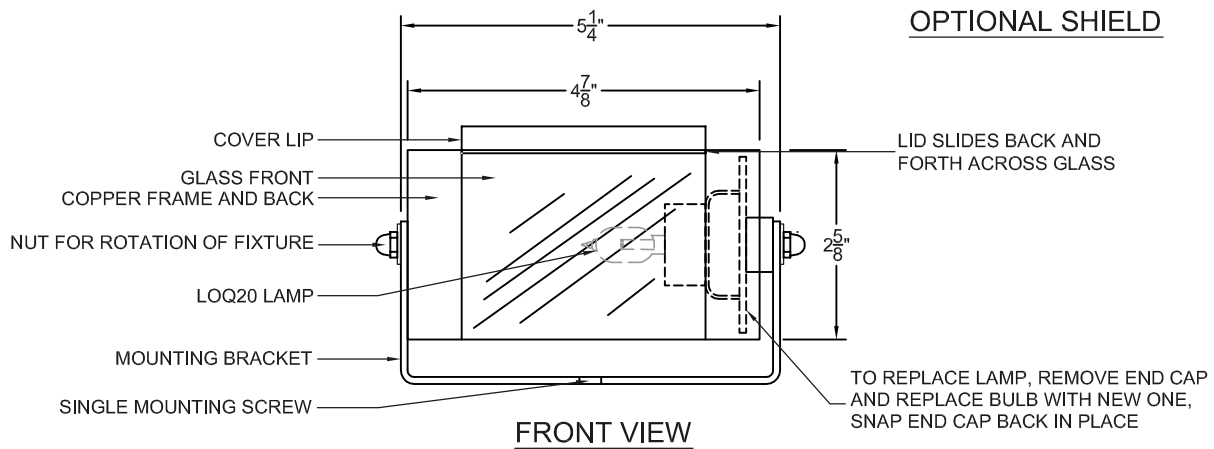


SIDE VIEW WITH ROTATION



BACK VIEW



FRONT VIEW

MATERIALS

BODY: COPPER
YOKE MOUNT: BRASS

LAMP

LOQ20
20 WATTS, BI-PIN QUARTZ HALOGEN

FINISH:

WM-0203CU: NATURAL COPPER
WM-0203CU-V: COPPER VERDE (ADDITIONAL CHARGE)
WM-0203CU: -1 (BLACK), -7 (WEATHERED IRON), -2 (NATIVE GREEN), -3 (TAN), -4 (BRONZE), -8 (SANDSTONE), -9 (EARTHTONE), -W (WHITE), -AV (ANTIQUER VERDE), -VP (VERDE POWDER) (OPTIONAL POLYESTER POWDER COAT: ADDITIONAL CHARGE)

LENS:

CLEAR PYREX TUBING (STANDARD)

SOCKET:

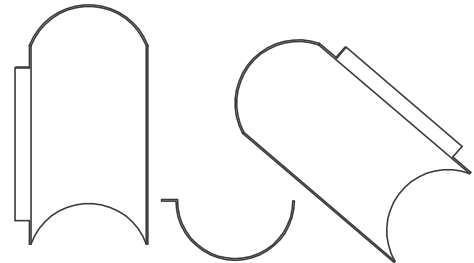
CERAMIC G4 BI-PIN

MOUNTING:

WALL MOUNT (STANDARD)

LAMP REPLACEMENT:

REMOVE END CAP AND REPLACE LAMP,
SNAP END CAP BACK INTO PLACE



OPTIONAL SHIELD

CONSTITUTION WM-0203CU

Nightscaping[®]

SIZE	DRAWN BY	CLASSIFICATION	DATE
A	HECTOR CARRILLO	SPECIALTY LIGHTING	OCTOBER 11, 2007