

MATERIALS:

BODY: SOLID COPPER
YOKE : BRASS

LAMP:

LO921 (STANDARD)
16.5 WATTS T-5 WEDGE BASE

LAMP REPLACEMENT:

REACH INTO FIXTURE AND PULL OUT OLD LAMP
REPLACE WITH NEW LAMP

FINISH:

WM-1515CU: NATURAL COPPER

WM-1515CU-V: COPPER VERDE (ADDITIONAL CHARGE)

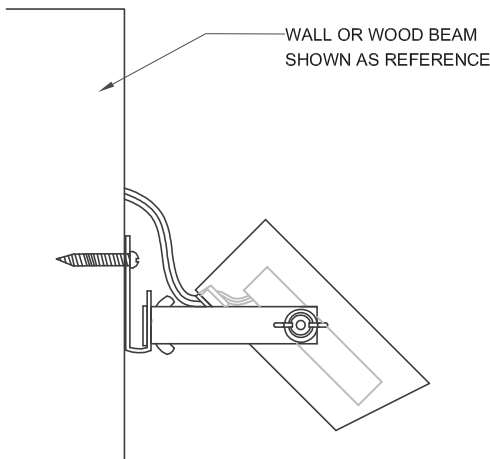
WM-1515CU: -1 (BLACK), -7 (WEATHERED IRON)
-2 (NATIVE GREEN), -3 (TAN), -4 (BRONZE),
-8 (SANDSTONE), -9 (EARTHTONE), -W (WHITE),
-AV (ANTIQUER VERDE), -VP (VERDE POWDER)
(OPTIONAL POLYESTER POWDER COAT:
ADDITIONAL CHARGE)

SOCKET:

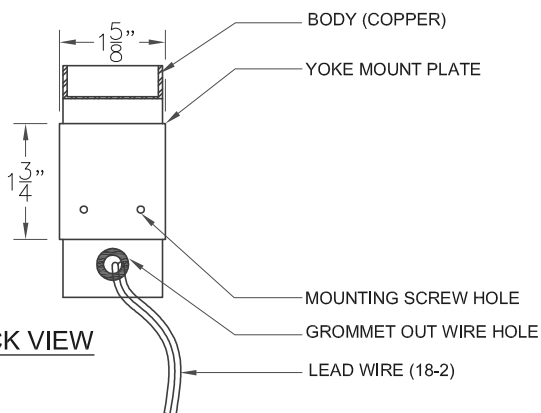
NON CORRODING NORYL (WEDGE BASE)

MOUNTING:

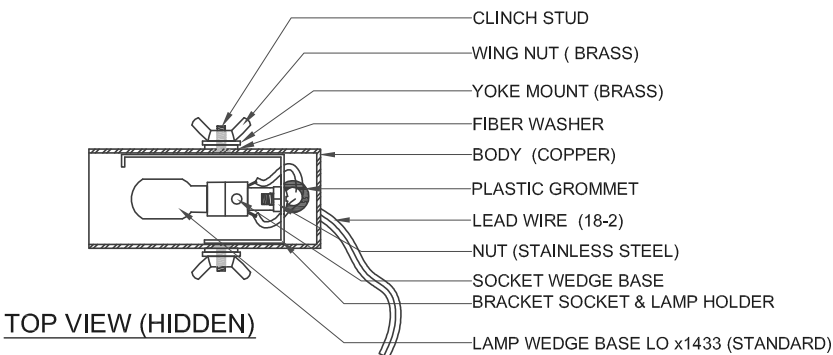
YOKE MOUNT (STANDARD)



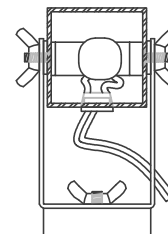
SIDE VIEW @ 45°



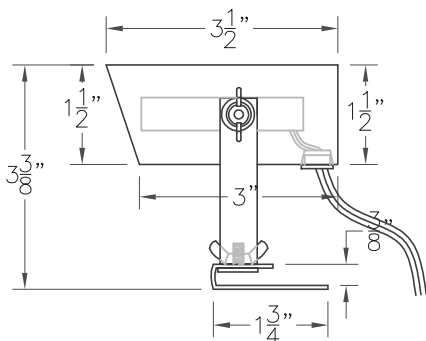
BACK VIEW



TOP VIEW (HIDDEN)



FRONT VIEW WITH FIXTURE @ 90° ANGLE



SIDE VIEW

CHRISTINE-LITER WM-1515CU

Nightscaping[®]

SIZE	DRAWN BY	CLASSIFICATION	DATE
A	LUIS ENRIQUEZ	DOWNLIGHTING	SEPTEMBER 1, 2006