

MATERIALS

BODY: EXTRUDED ALUMINUM
MOUNTING PLATE: PHOSPHATIZED STEEL

LAMP

2- LO2036 MR-16 HALOGEN (STANDARD)
@ 20 WATTS / 36° BEAM SPREAD EACH -
40 WATTS TOTAL

LENS:

CLEAR PYREX GLASS
SEALED WITH SILICON

SOCKET:

CERAMIC G6.35 BI-PIN

MOUNTING:

WALL MOUNT (STANDARD)

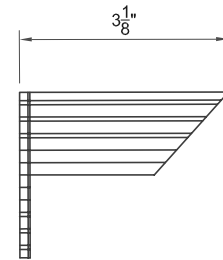
FINISH:

AU-0803 -1 (BLACK), -7 (WEATHERED IRON),
(STANDARD POLYESTER POWDER COAT)

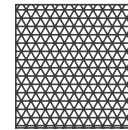
AU-0803 -2 (NATIVE GREEN), -3 (TAN), -4 (BRONZE),
-8 (SANDSTONE), -9 (EARTHTONE), -W (WHITE),
-AV (ANTIQUA VERDE), -VP (VERDE POWDER)
(OPTIONAL POLYESTER POWDER COAT:
ADDITIONAL CHARGE)

LAMP REPLACEMENT:

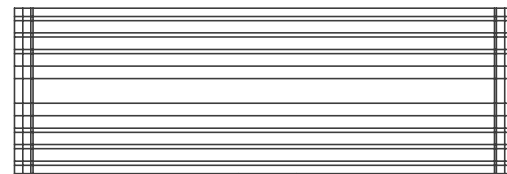
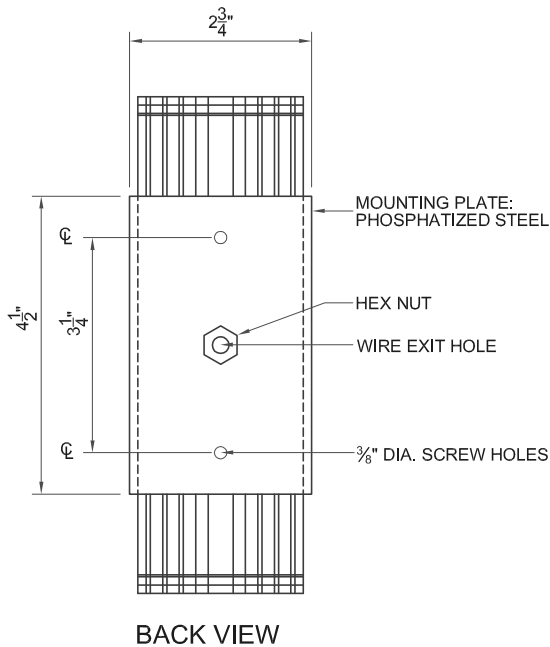
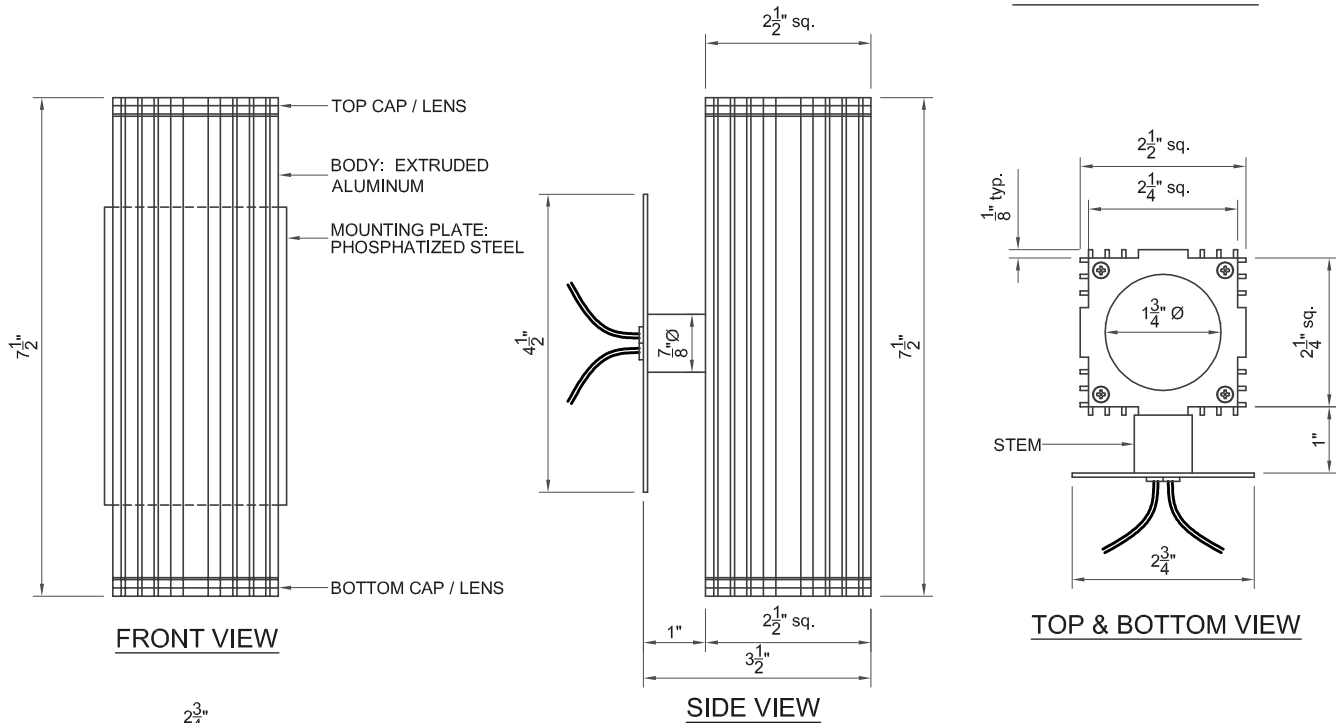
REMOVE UPPER 2 SCREWS FROM
TOP AND BOTTOM LENS PLATE
(OPPOSITE STEM SIDE). SEPARATE UPPER
BODY HALF FROM LOWER BODY HALF.
REMOVE OLD LAMP - REPLACE WITH NEW
LAMP. PUT BODY HALVES BACK TOGETHER
& RE-INSERT SCREWS.



OPTIONAL EYEBROW
EB-0203



OPTIONAL LOUVRE



LPC MOUNTING PLATE (OPTIONAL)

CHAPERONE AU-0803



SIZE A	DRAWN BY HECTOR CARRILLO	CLASSIFICATION BACKLIGHTING	DATE SEPTEMBER 1, 2006
------------------	-----------------------------	--------------------------------	---------------------------