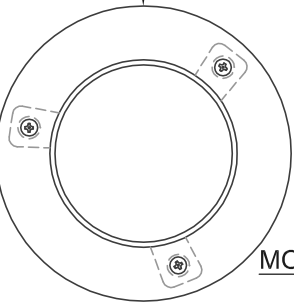


SIDE VIEW
MUST BE MOUNTED INTO HARD SURFACE



MOUNTING, TOP VIEW
(NOT TO SCALE)

MATERIALS
TOP: PHOSPHATIZED STEEL
STEM: ALUMINUM

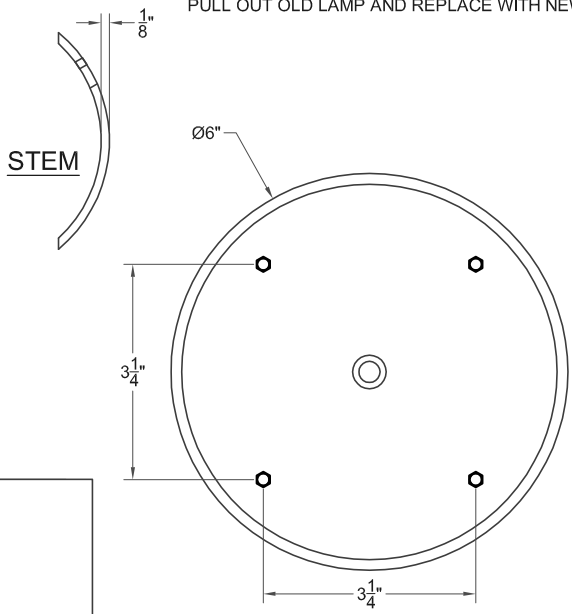
LAMP
LOQ35 (STANDARD)
35 WATT, BI-PIN HALOGEN

FINISH:
GD-4006
-1 (BLACK),
-7 (WEATHERED IRON)
(STANDARD POLYESTER
POWDER COAT)
GD-4006
-2 (NATIVE GREEN),
-3 (TAN),
-4 (BRONZE),
-8 (SANDSTONE),
-9 (EARTHTONE),
-W (WHITE),
-AV (ANTIQUÉ VERDE),
-VP (VERDE POWDER)
(OPTIONAL POLYESTER POWDER
COAT: ADDITIONAL CHARGE)

SOCKET:
CERAMIC G4 BI-PIN

MOUNTING:
DIRECT FLOOR MOUNT

LAMP REPLACEMENT:
ROTATE FIXTURE TOP COUNTER-CLOCKWISE,
LIFT UP, LOOSEN SCREW TO REMOVE SOCKET,
PULL OUT OLD LAMP AND REPLACE WITH NEW



TOP VIEW

CENTURION GD-4006

Nightscaping

SIZE	DRAWN BY	CLASSIFICATION	DATE
A	LUIS ENRIQUEZ	PATHLIGHTING	SEPTEMBER 1, 2006