

LENS:

CLEAR PYREX LENS
SEALED WITH SILICONE

SOCKET:

CERAMIC G6.35 Bi-Pin

MOUNTING:

BRASS WALL MOUNT (STANDARD)

LAMP REPLACEMENT:

REMOVE FIXTURE BODY FROM YOKE MOUNT
PULL TOP OF BODY OFF BOTTOM PIECE
PULL OUT OLD LAMP, PUSH IN NEW LAMP

MATERIALS

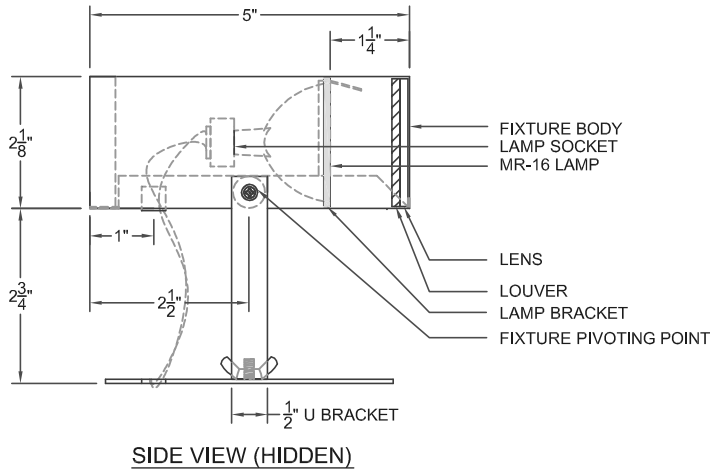
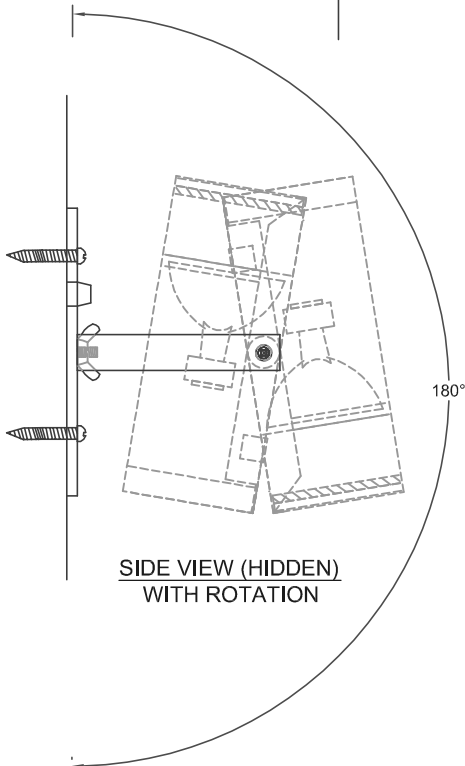
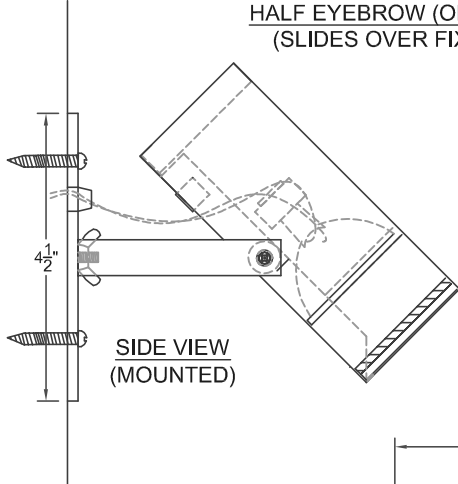
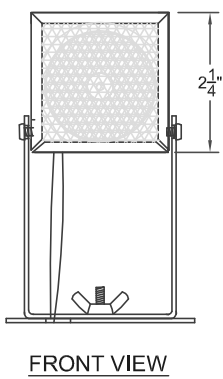
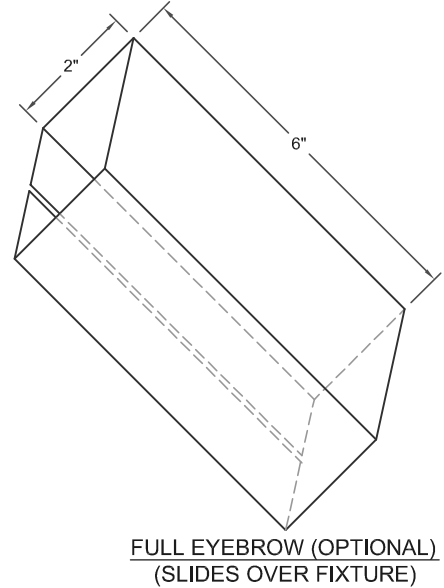
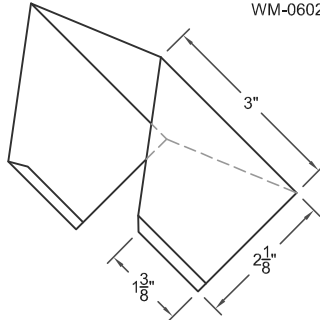
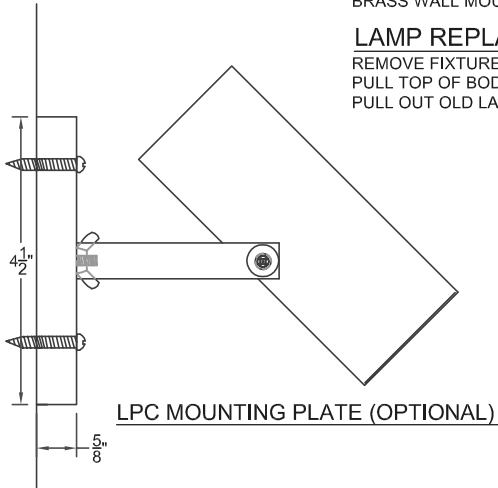
BODY: COPPER
MOUNTING PLATE & YOKE MOUNT: BRASS
OPTIONAL EYEBROWS: COPPER

LAMP

LO2036 MR-16 HALOGEN (STANDARD)
20 WATTS/36° BEAM SPREAD

FINISH:

- WM-0602CU: NATURAL COPPER
- WM-0602CU-V: COPPER VERDE (ADDITIONAL CHARGE)
- WM-0602CU: -1 (BLACK), -7 (WEATHERED IRON)
- 2 (NATIVE GREEN), -3 (TAN), -4 (BRONZE),
- 8 (SANDSTONE), -9 (EARTHTONE), -W (WHITE),
- AV (ANTIQUÉ VERDE), -VP (VERDE POWDER)
- (OPTIONAL POLYESTER POWDER COAT:
ADDITIONAL CHARGE)



CAMEOLITER WM-0602CU

Nightscaping

SIZE A	DRAWN BY LUIS ENRIQUEZ	CLASSIFICATION DOWNLIGHTING	DATE OCTOBER 16, 2007
------------------	---------------------------	--------------------------------	--------------------------