

MATERIALS

BELL: CAST ALUMINUM
STEM: PHOSPHATIZED STEEL

LAMP

LO93 (STANDARD)
12.3 WATTS, SINGLE CONTACT BAYONET

FINISH:

- GD-4009 -1 (BLACK), -7 (WEATHERED IRON), (STANDARD POLYESTER POWDER COAT)
- GD-4009 -2 (NATIVE GREEN), -3 (TAN), -4 (BRONZE), -8 (SANDSTONE), -9 (EARTHTONE), -W (WHITE), -AV (ANTIQUE VERDE), -VP (VERDE POWDER) (OPTIONAL POLYESTER POWDER COAT: ADDITIONAL CHARGE)

SOCKET:

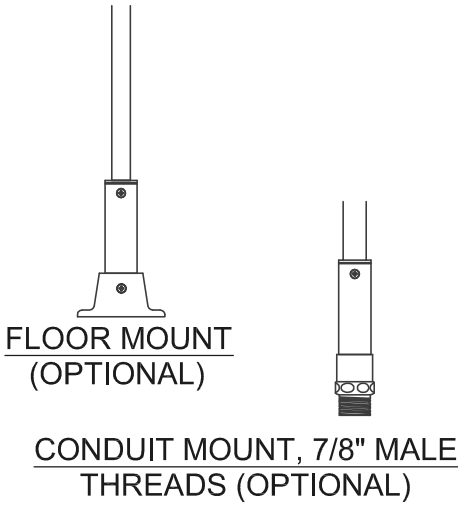
NON-CORRODING POLYCARBONATE
(SINGLE CONTACT BAYONET)

MOUNTING:

ALUMINUM SPIKE MOUNT (STANDARD)

LAMP REPLACEMENT:

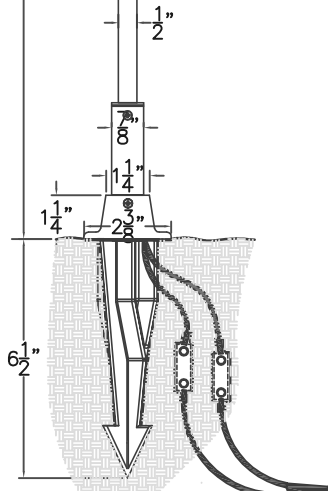
PUSH IN BULB
TURN COUNTER-CLOCKWISE, PULL OUT
PUSH IN NEW BULB
TURN CLOCKWISE



39 3/8"

FLOOR MOUNT (OPTIONAL)

CONDUIT MOUNT, 7/8" MALE THREADS (OPTIONAL)



SIDE VIEW

BELLELITER GD-4009			
<i>Nightscaping</i> [®]			
SIZE A	DRAWN BY MISAEEL ITZEP	CLASSIFICATION PATHLIGHTING	DATE SEPTEMBER 1, 2006