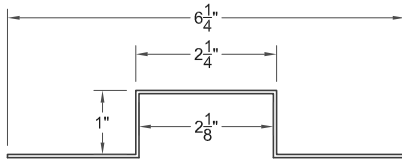
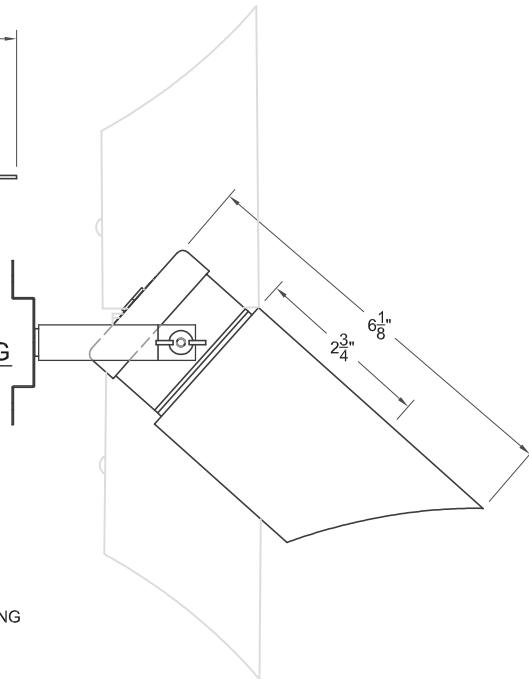


**TREE BRACKET  
TOP VIEW**

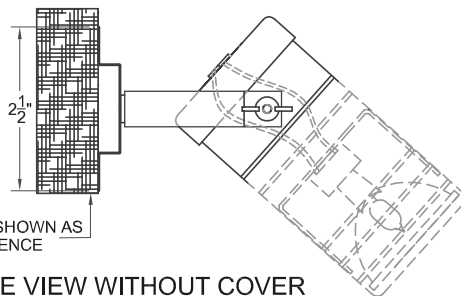
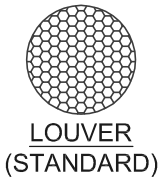
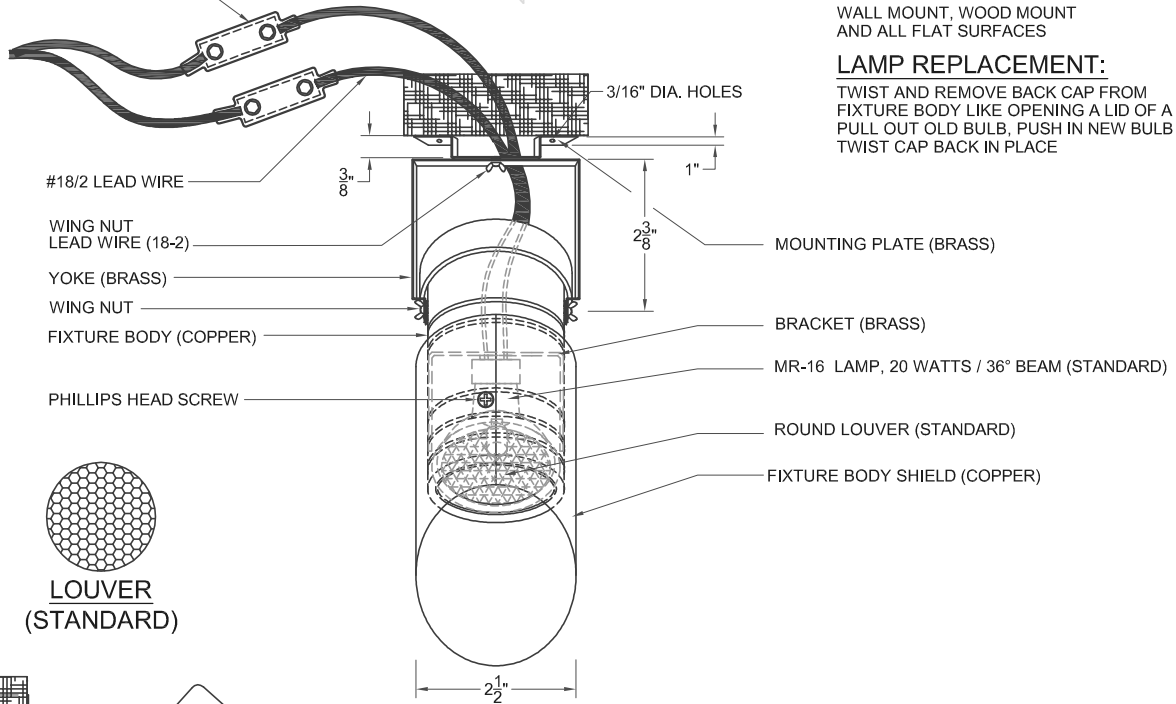


**TREE BRACKET  
SIDE VIEW**

**SIDE VIEW SHOWING  
FULL ROTATION**



USE ONLY NIGHTSCAPING  
ACE CONNECTOR  
(NOT INCLUDED)



**SIDE VIEW WITHOUT COVER  
(OPTIONAL)**

**MATERIALS**

BODY/COVER: COPPER  
YOKE MOUNT: BRASS

**FINISH:**

WM-0404CU  
NATURAL COPPER

WM-0404CUV  
COPPER VERDE  
(ADDITIONAL CHARGE)

WM-0404  
-1 (BLACK),  
-7 (WEATHERED IRON)  
-2 (NATIVE GREEN),  
-3 (TAN), -4 (BRONZE),  
-8 (SANDSTONE),  
-9 (EARTHTONE), -W (WHITE),  
-AV (ANTIQUÉ VERDE),  
-VP (VERDE POWDER)  
(OPTIONAL POLYESTER POWDER  
COAT: ADDITIONAL CHARGE)

**LAMP**

LO2036 (STANDARD)  
20 WATTS / 36° BEAM, MR-16 HALOGEN

**REFLECTOR:**

WHITE INTERIOR COVER  
POLYESTER POWDER COAT

**LENS:**

CLEAR PYREX LENS  
SEALED WITH SILICONE

**SOCKET:**

CERAMIC G6.35 Bi-Pin

**MOUNTING:**

WALL MOUNT, WOOD MOUNT  
AND ALL FLAT SURFACES

**LAMP REPLACEMENT:**

TWIST AND REMOVE BACK CAP FROM  
FIXTURE BODY LIKE OPENING A LID OF A JAR,  
PULL OUT OLD BULB, PUSH IN NEW BULB  
TWIST CAP BACK IN PLACE

ARTISAN WM-0404CU

*Nightscaping*<sup>®</sup>

SIZE <b>A</b>	DRAWN BY THOMAS MEIS	CLASSIFICATION DOWNLIGHTING	DATE OCTOBER 11, 2007
------------------	-------------------------	--------------------------------	--------------------------