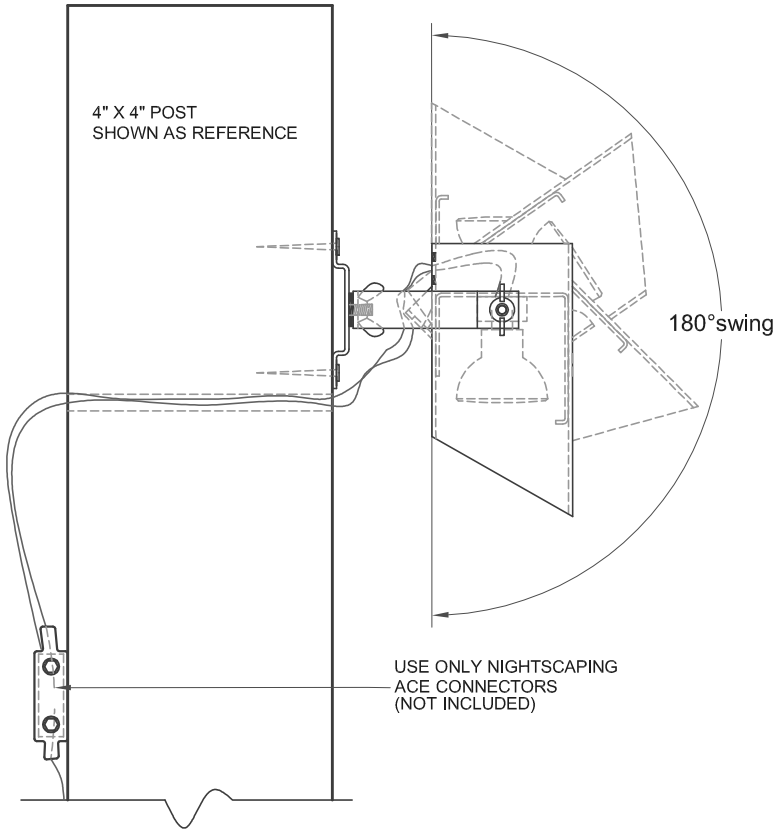


4" X 4" POST
SHOWN AS REFERENCE



SIDE VIEW (MOUNTED)

MATERIALS

BODY: COPPER
MOUNTING PLATE & YOKE: BRASS

LAMP

LOI2010C MR-11 HALOGEN (STANDARD)
20 WATTS / 10° BEAM

SOCKET:

CERAMIC G4 BI-PIN

FINISH:

- WM-0204CU NATURAL COPPER
- WM-0204CU-V COPPER VERDE (ADDITIONAL CHARGE)
- WM-0204CU -1 (BLACK), -7 (WEATHERED IRON)
- 2 (NATIVE GREEN), -3 (TAN), -4 (BRONZE),
- 8 (SANDSTONE), -9 (EARTHTONE), -W (WHITE),
- AV (ANTIQUÉ VERDE), -VP (VERDE POWDER)
- (OPTIONAL POLYESTER POWDER COAT:
ADDITIONAL CHARGE)

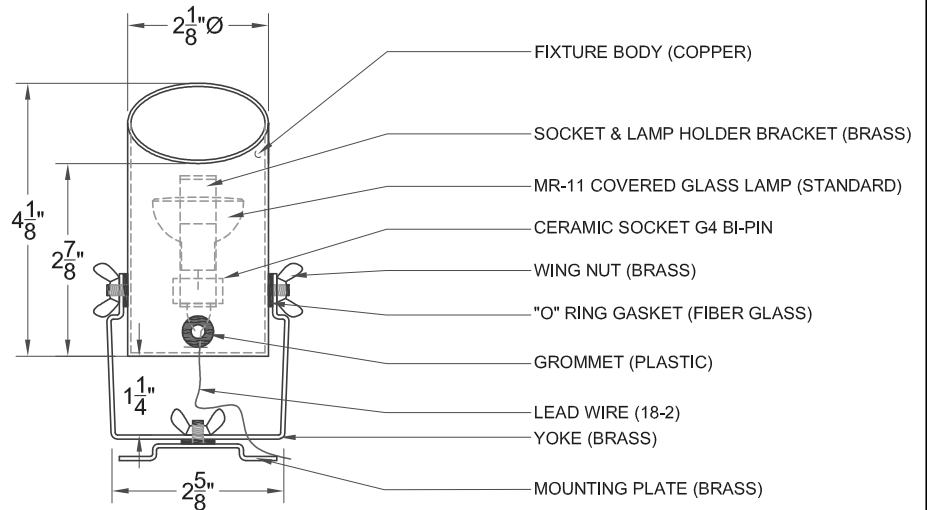
MOUNTING:

WALL MOUNT, WOOD MOUNT
AND ALL FLAT SURFACES

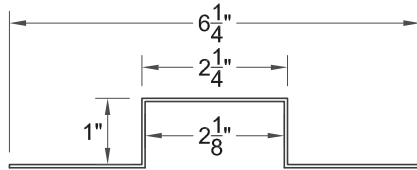
LAMP REPLACEMENT:

PULL BRASS BRACKET OUT OF FIXTURE
PULL OUT OLD BULB, PUSH IN NEW BULB
PUSH BRACKET BACK INTO FIXTURE

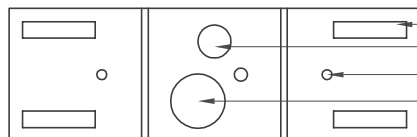
USE ONLY NIGHTSCAPING
ACE CONNECTORS
(NOT INCLUDED)



BOTTOM VIEW (HIDDEN)



OPTIONAL TREE BRACKET
SIDE VIEW



OPTIONAL TREE BRACKET
TOP VIEW

STRAP OPTION
WIRES
SCREW OPTION
FIXTURE

ACROBAT WM-0204CU

Nightscaping[®]

SIZE	DRAWN BY	CLASSIFICATION	DATE
A	HECTOR CARRILLO	DOWNLIGHTING	SEPTEMBER 1, 2006